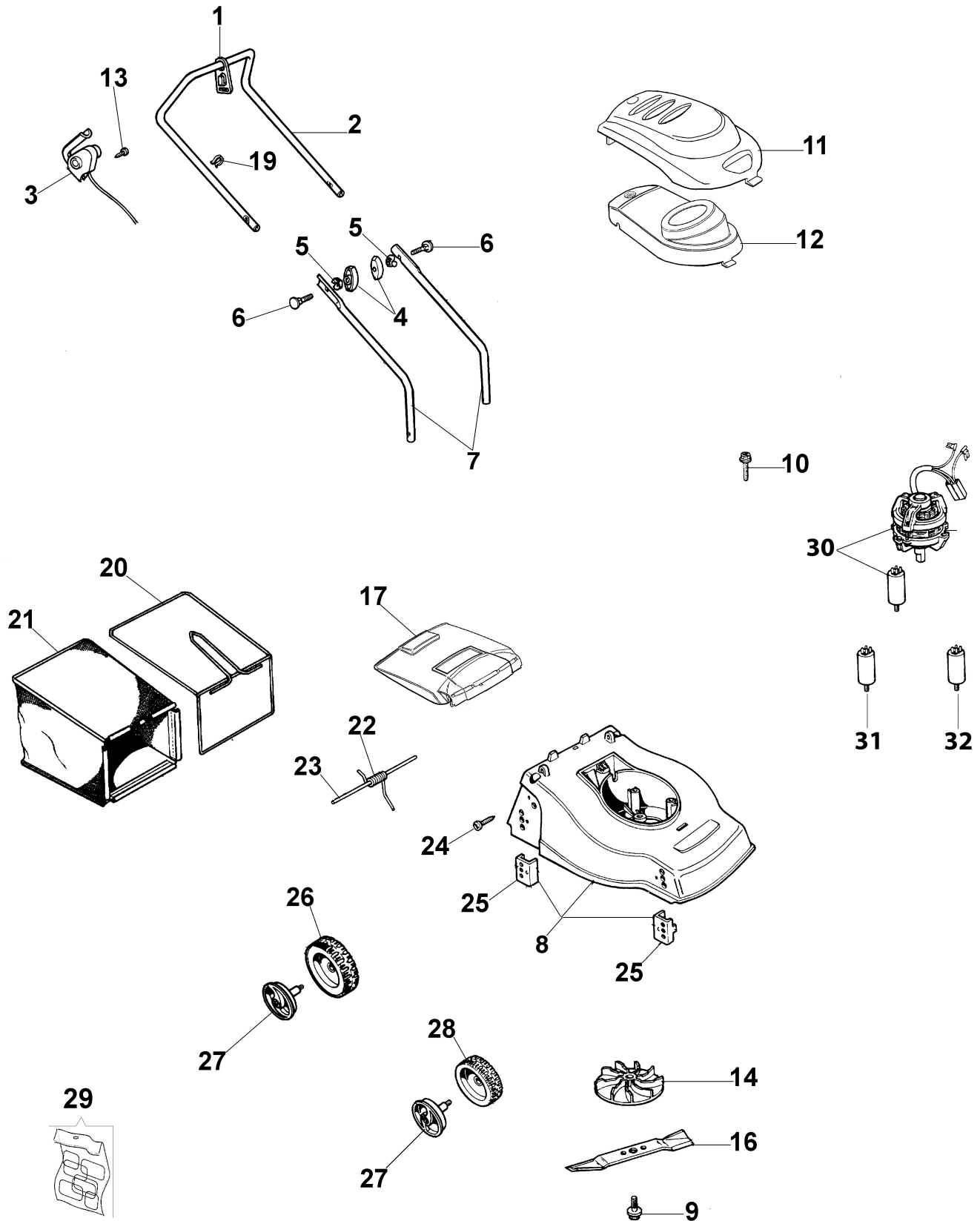


PR 40 S Electric lawnmower



Документы

[Complete illustrated parts list](#)



изображение Complete illustrated parts list

Ref.Nu	Qty	Part number	Description	Validity from	Validity till	Notes	Bulletin
1	1	3044027R	Clamp				
	1	66050188R	Handlebar			Nero / Black	
2	1	66050188R	Handlebar			Grigio / Black	
3	1	66050187R	Switch				
4	2	4119013AR	Tightening handle				
5	2	66050013R	Spacer				
6	2	3910015R	Screw				
7	1	66052041	Handlebar			Nero / Black	
7	1	66052041A	Handlebar			Grigio / Black	
8	1	66080081R	Deck			Sostituisce carcassa rossa /	
9	1	66050014AR	Screw				
10	5	3960050R	Screw				
11	1	66080008	Guard				
12	1	66080007	Guard				
13	2	66050036	Screw				
14	1	66050005AR	Fan				
16	1	66080011BR	Blade				
17	1	66080006BR	Shutter				
19	1	3044087R	Band				
20	1	66080013	Frame				
21	1	66080014R	Grassbag				
22	1	66050017	Spring				
23	2	66080010	Pin				
24	2	3860052	Screw				
25	4	66050022	Plate				
26	2	66050007R	Wheel				
27	2	66050193R	Knob				
28	2	66050006R	Wheel				
29	1	66052062	Labels kit				
30	1	66080083R	Electric motor				
31	1	66080082R	Condenser			16MF 450V 5	
32	1	66050184R	Condenser			12MF 450V 5	