

MTTH 2400 Chainsaw



Документы

Engine

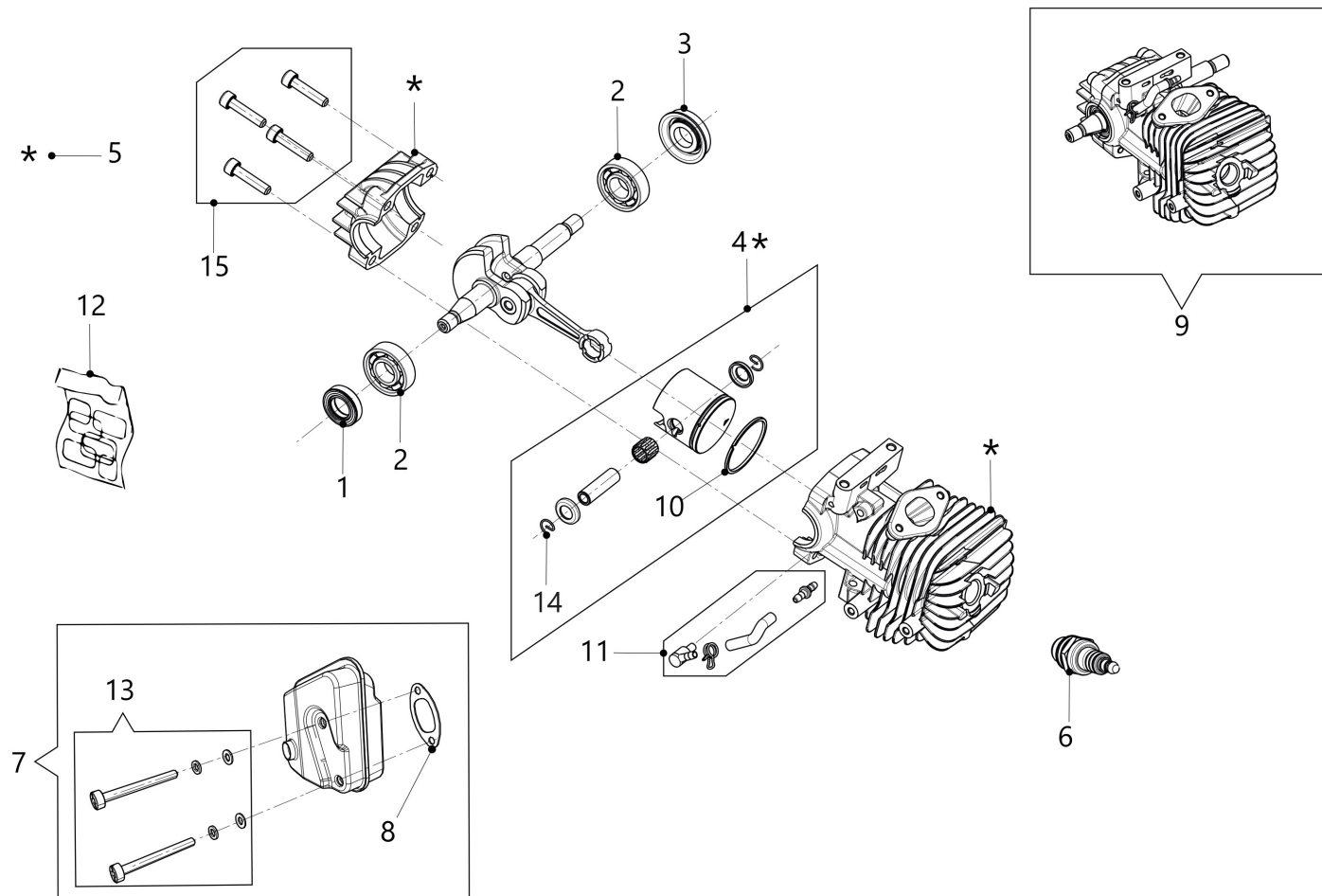
Ignition system

Crankcase

Chain cover - Clutch

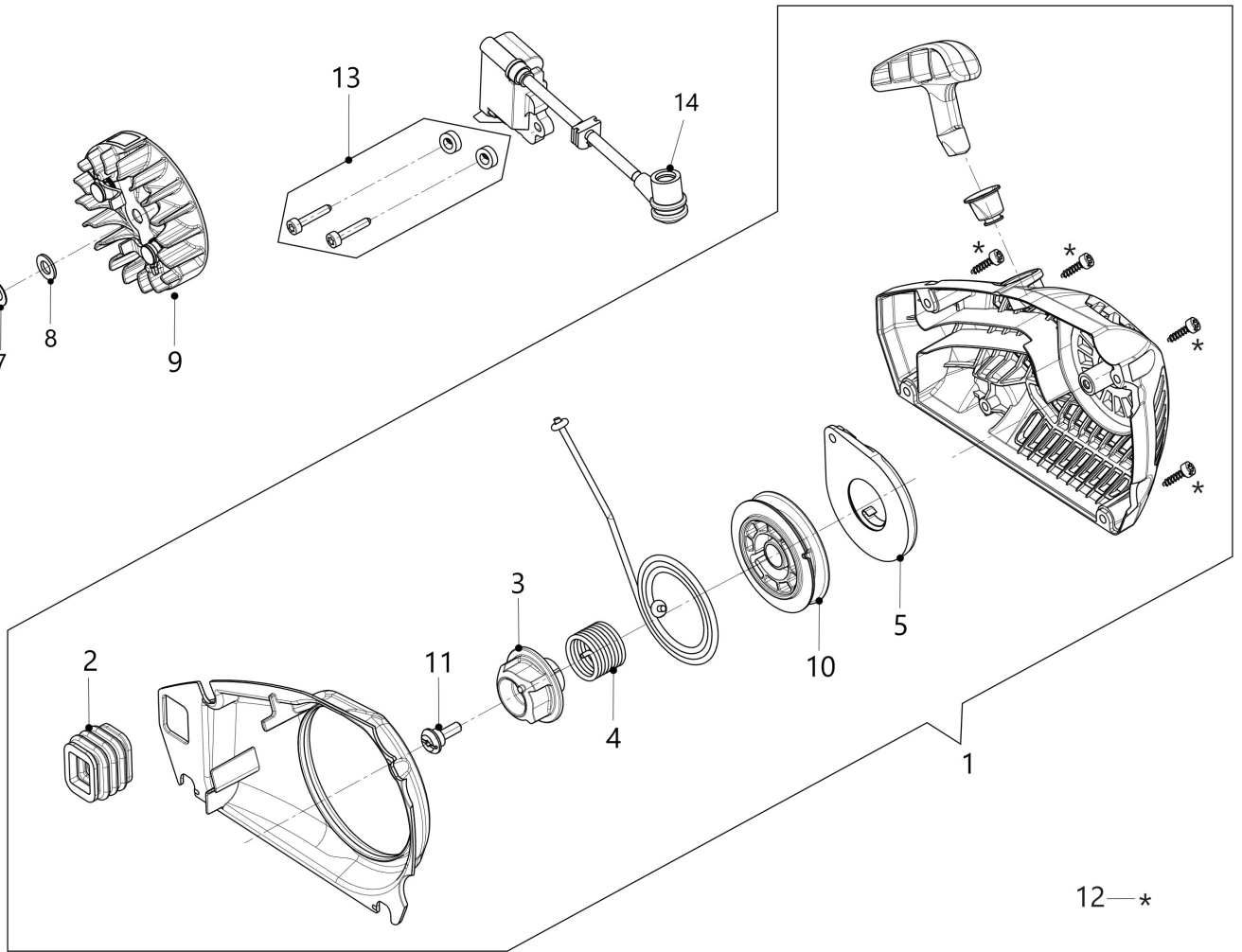
Handle and air filter

Accessories



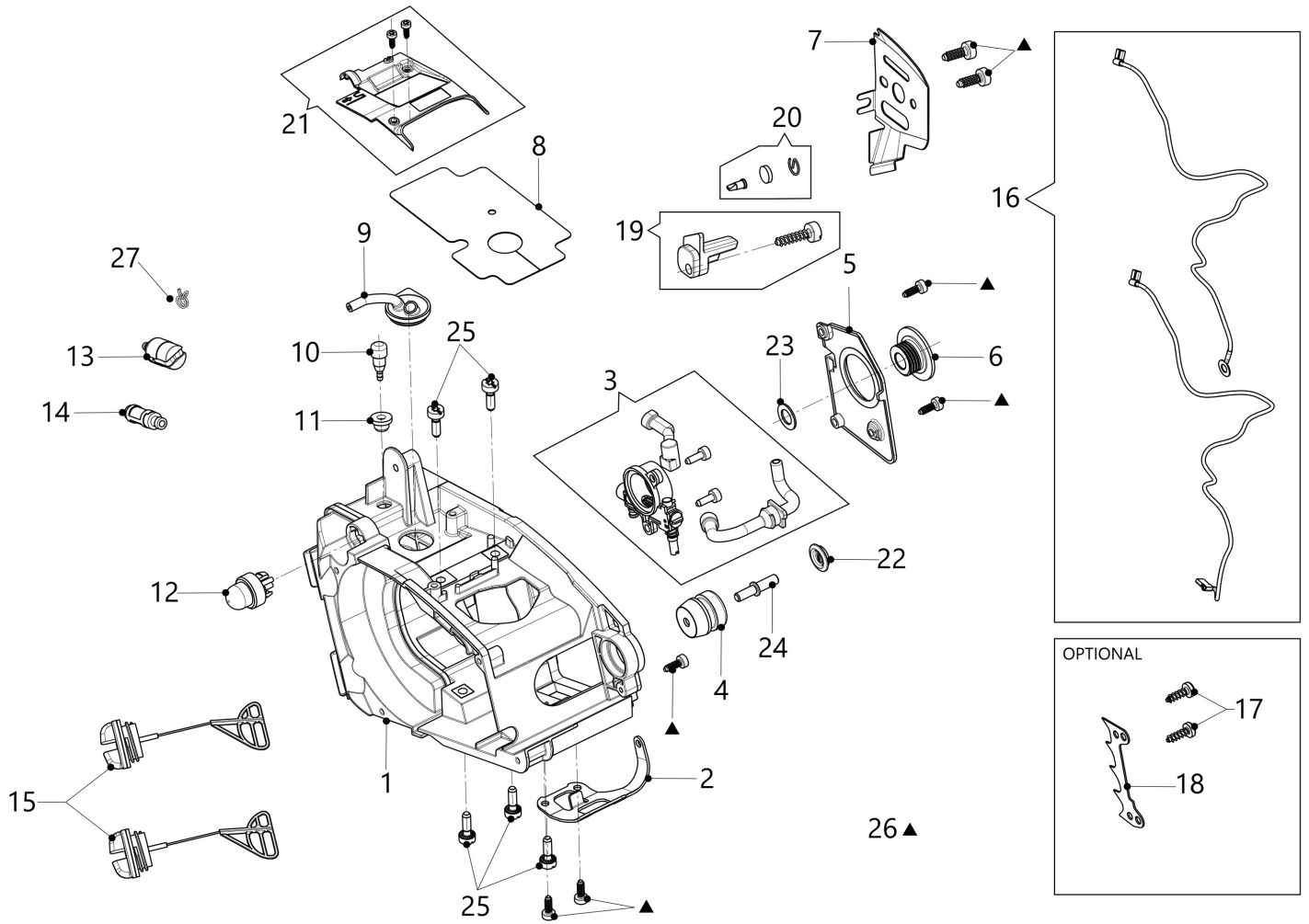
изображение Engine

Ref.Nu	Qty	Part number	Description	Validity from	Validity till	Notes	Bulletin
1	1	50272004R	Seal ring				
2	2	3034225R	Bearing				
3	1	3050058R	Seal ring				
4	1	50350173	Piston assy				
5	1	50350174	Complete cylinder				
6	1	3055118R	Spark plug				
7	1	50352004R	Muffler				
8	1	50350007AR	Gasket				
9	1	50352001R	Short block				
10	2	50350090R	Piston ring				
11	1	50350176	Tube				
12	1	50350178	Labels kit				
13	1	50350209	Screw/washer kit				
14	2	50350083R	Ring				
15	4	3801051R	Screw				



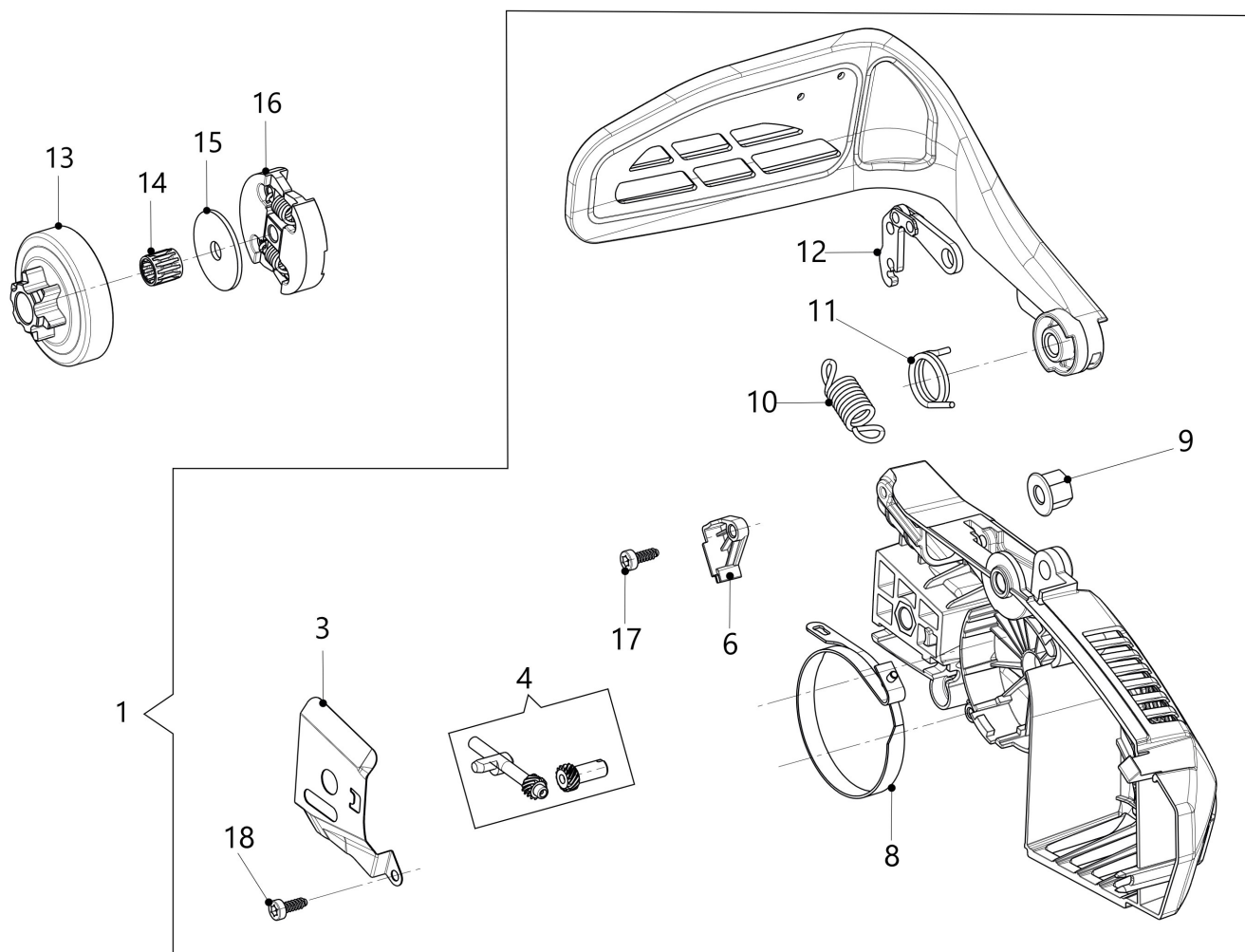
изображение Ignition system

Ref.Nu	Qty	Part number	Description	Validity from	Validity till	Notes	Bulletin
1	1	50352012R	Starter assy				
2	1	50350099R	Blower				
3	1	50170155R	Sprocket				
4	1	50170154R	Spring				
5	1	50050073R	Spring				
6	1	004000142R	Nut				
7	1	3833080R	Washer				
8	1	3916009R	Washer				
9	1	50350040R	Flywheel				
10	1	50170153R	Starter pulley				
11	1	50160024	Screw				
12	2	3893016AR	Screw				
13	1	50350210	Screw/washer kit				
14	1	50350039R	Ignition coil				



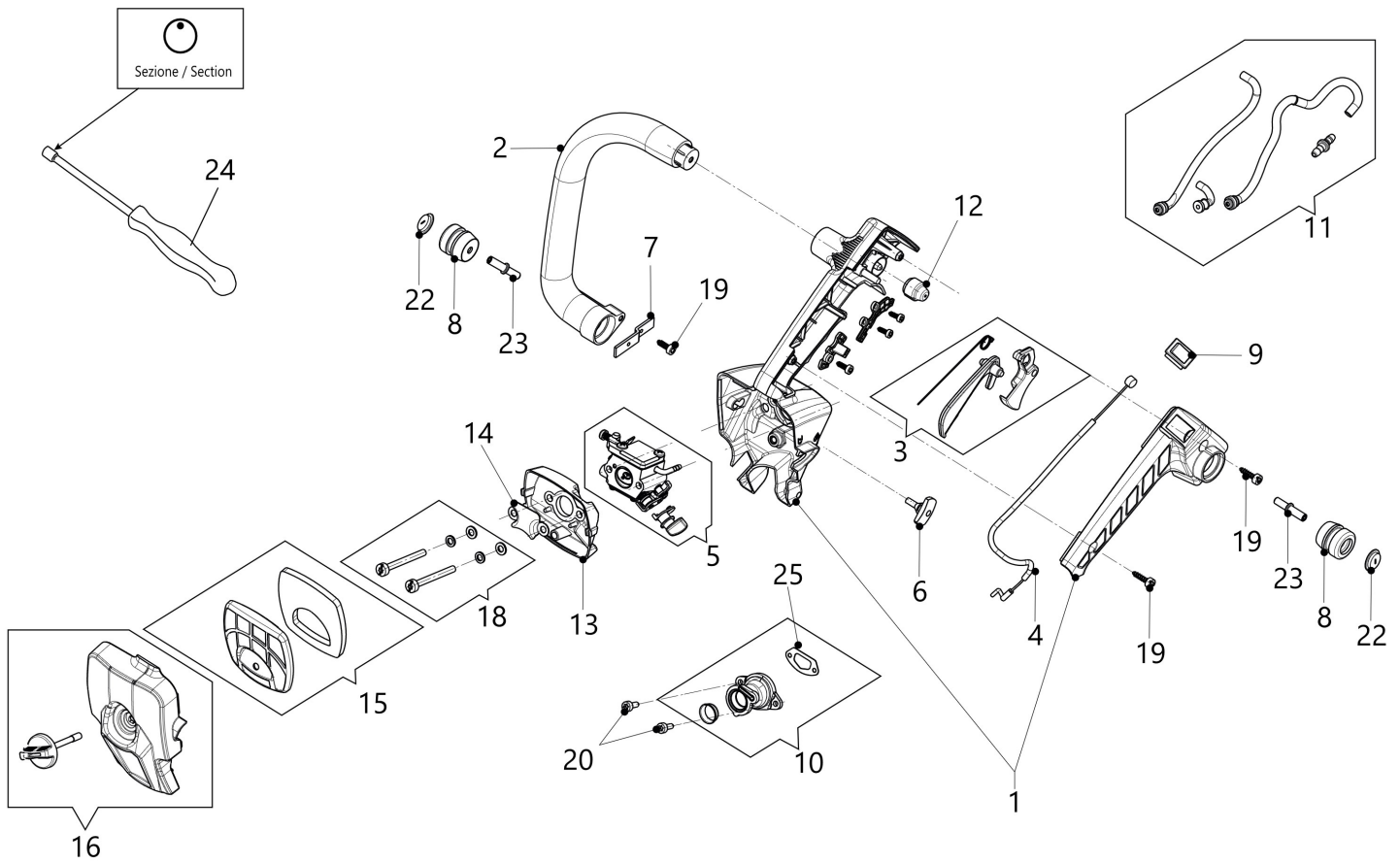
изображение Crankcase

Ref.Nu	Qty	Part number	Description	Validity from	Validity till	Notes	Bulletin
1	1	50350095DR	Crankcase				
2	1	50350066R	Flange				
3	1	50350180	Oil pump set				
4	1	50160040AR	AV-mount				
5	1	50350093BR	Oil pump cover				
6	1	50350004R	Worm gear				
7	1	50350140R	Plate				
8	1	50160060R	Gasket				
9	1	50350146AR	Bush				
10	1	61070011AR	Breather valve				
11	1	50350058R	Bush				
12	1	2318817R	Air purge				
13	1	094600450R	Fuel filter				
14	1	50310079R	Oil filter				
15	2	50350204R	Tank cap				
16	1	50350181	Cables set				
17	2	3893054R	Screw				
18	1	50290085AR	Spike				
19	1	50350182	Guard				
20	1	50310375	Reed valve kit				
21	1	50350183	Crankcase cover				
22	1	50350020R	Cover				
23	1	004400285R	Washer				
24	2	50350021R	Screw				
25	5	3891035R	Screw				
26	7	3893012R	Screw				
27	1	3059026	Band				



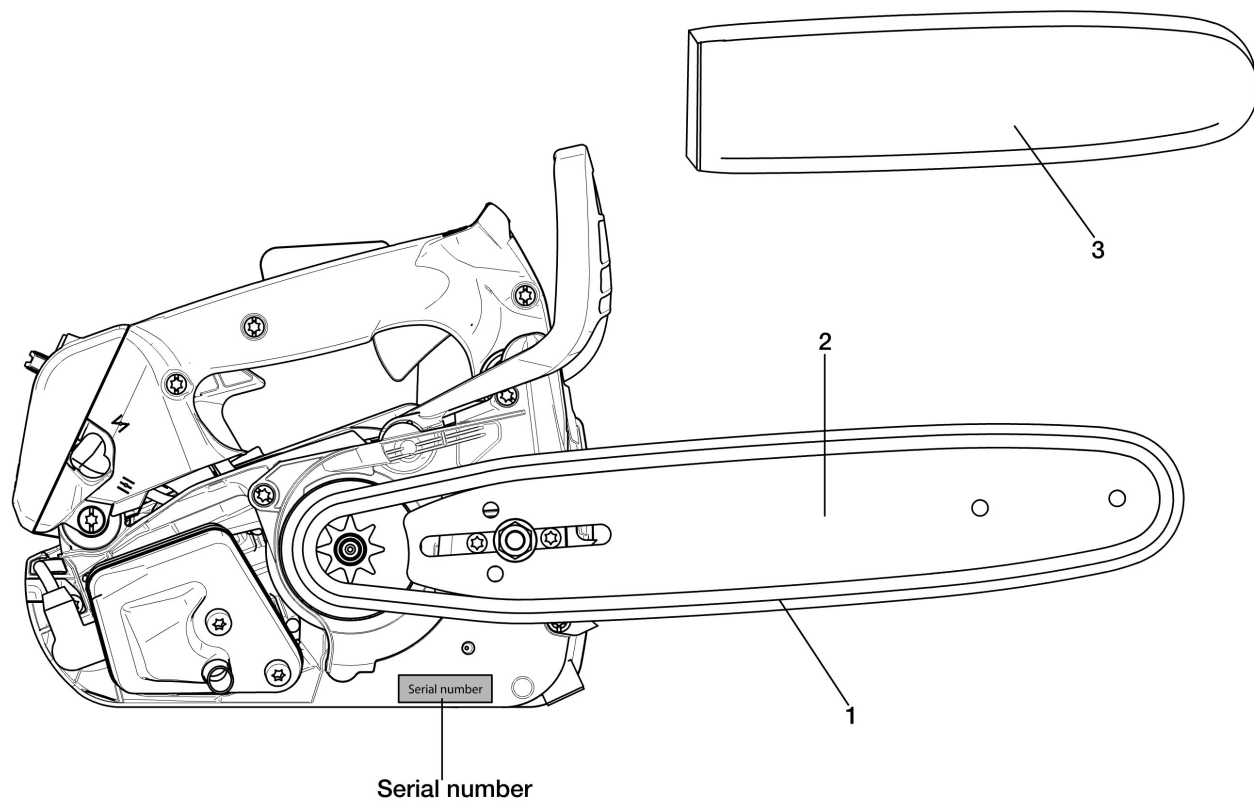
изображение Chain cover - Clutch

Ref.Nu	Qty	Part number	Description	Validity from	Validity till	Notes	Bulletin
1	1	50352010R	Casing (red)				
3	1	50350160R	Plate				
4	1	50350185	Chain tensioner kit				
6	1	50350052R	Clamp				
8	1	50350157R	Brake band				
9	1	50010148R	Nut				
10	1	50350155R	Spring				
11	1	50010088AR	Spring				
12	1	097000146	Lever				
13	1	50350002R	Clutch drum			.3/8"	
13	1	50350220R	Clutch drum			.1/4"	
14	1	50030372R	Roller cage				
15	1	50350143R	Washer				
16	1	50350161R	Clutch				
17	1	3893016AR	Screw				
18	1	3893012R	Screw				



изображение Handle and air filter

Ref.Nu	Qty	Part number	Description	Validity from	Validity till	Notes	Bulletin
1	1	50350198	Handle kit				
2	1	50350071R	Handle				
3	1	50350187	Throttle lever assy				
4	1	50350154AR	Throttle cable				
5	1	50350188	Carburetor kit				
6	1	50160238R	Limit switch				
7	1	50350127R	Strap				
8	2	50160040AR	AV-mount				
9	1	2317032R	Switch				
10	1	50352013R	Intake manifold assy				
11	1	50350189	kit tubes				
12	1	50010061R	AV-mount				
13	1	50350016AR	Air filter support				
14	1	50350019R	Plate				
15	1	50350190	Air filter kit				
16	1	50350191	Set cover				
18	1	50350209	Screw/washer kit				
19	3	3893016AR	Screw				
20	2	3891011R	Screw				
22	2	50350020R	Cover				
23	2	50350021R	Screw				
24	1	3055155R	Special screwdriver				
25	1	50350212R	Gasket				



изображение Accessories

Ref.Nu	Qty	Part number	Description	Validity from	Validity till	Notes	Bulletin
1	1	30629521C	Efco chain .3/8" x .050" (1,3mm)				
1	1	30629544	Chain .1/4" x .043" (1,1mm)				
2	1	50350131R	Bar 10"- 25R .3/8"X.050" EFCO				
2	1	50350222R	Bar 10" - .1/4"X.043"				
3	1	50350035R	Bar cover - 30 cm				