

## TG 2470 P Hedgetrimmer



### Документы

Engine

---

Ignition system

---

Tank and air filter

---

Handle

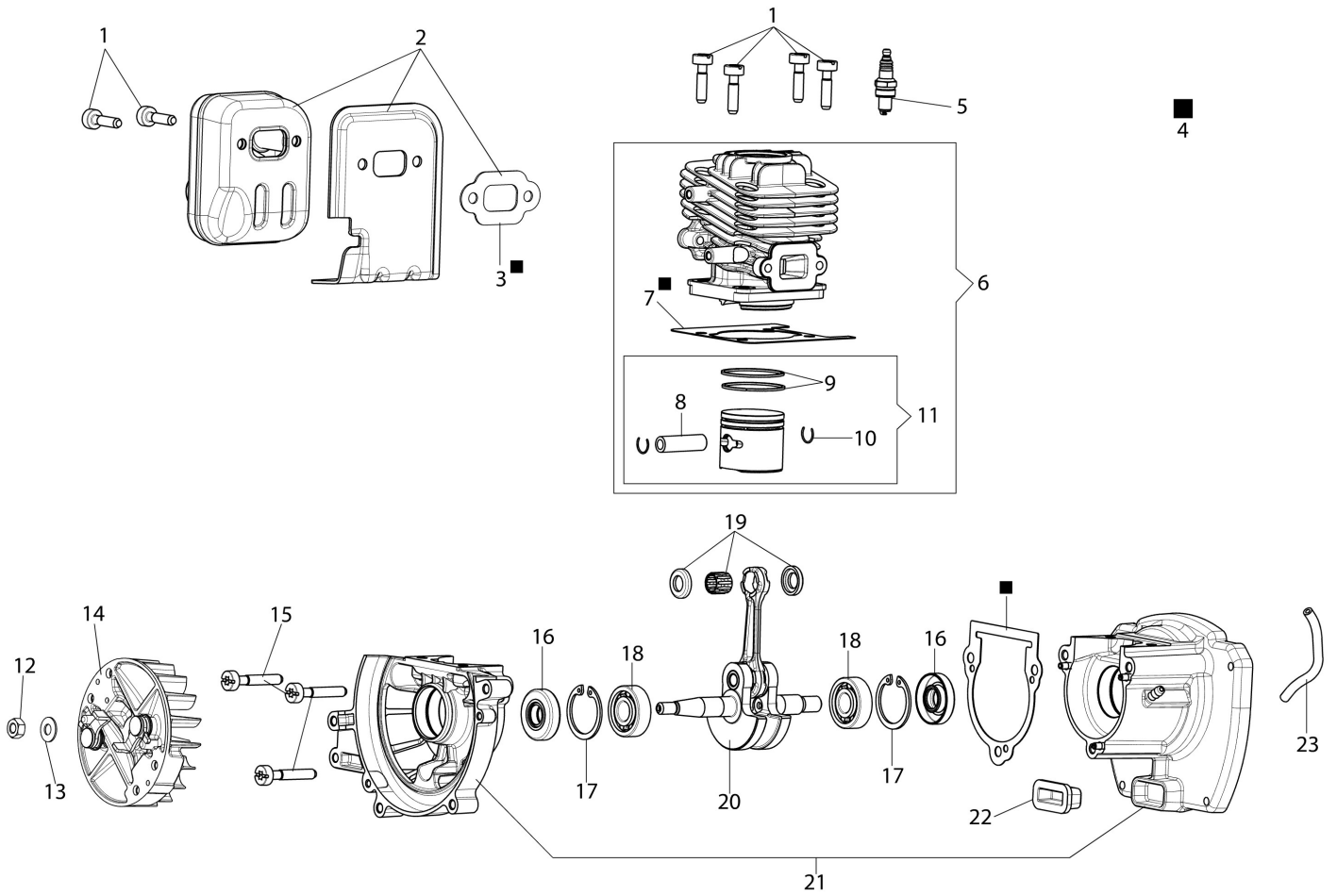
---

Carburetor

---

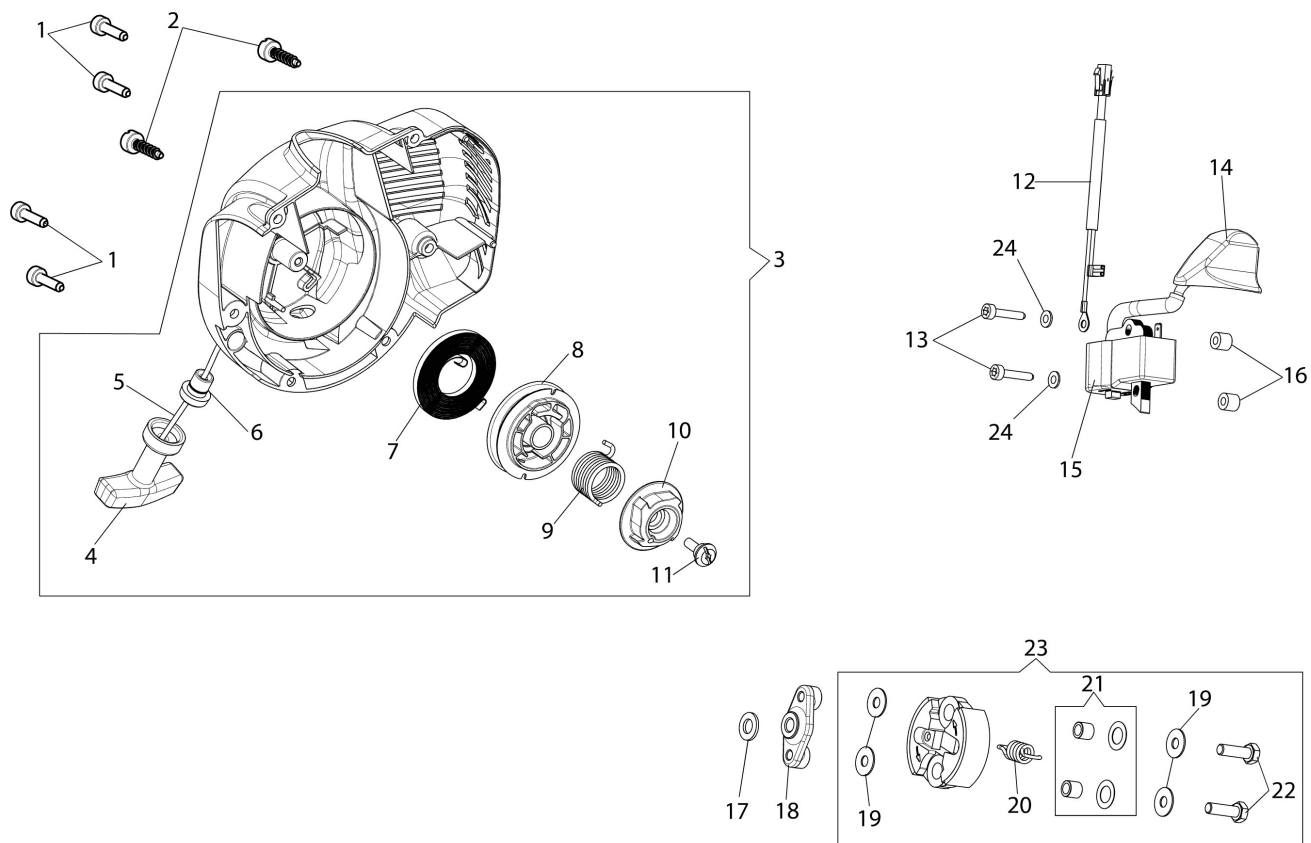
Blades assy

---



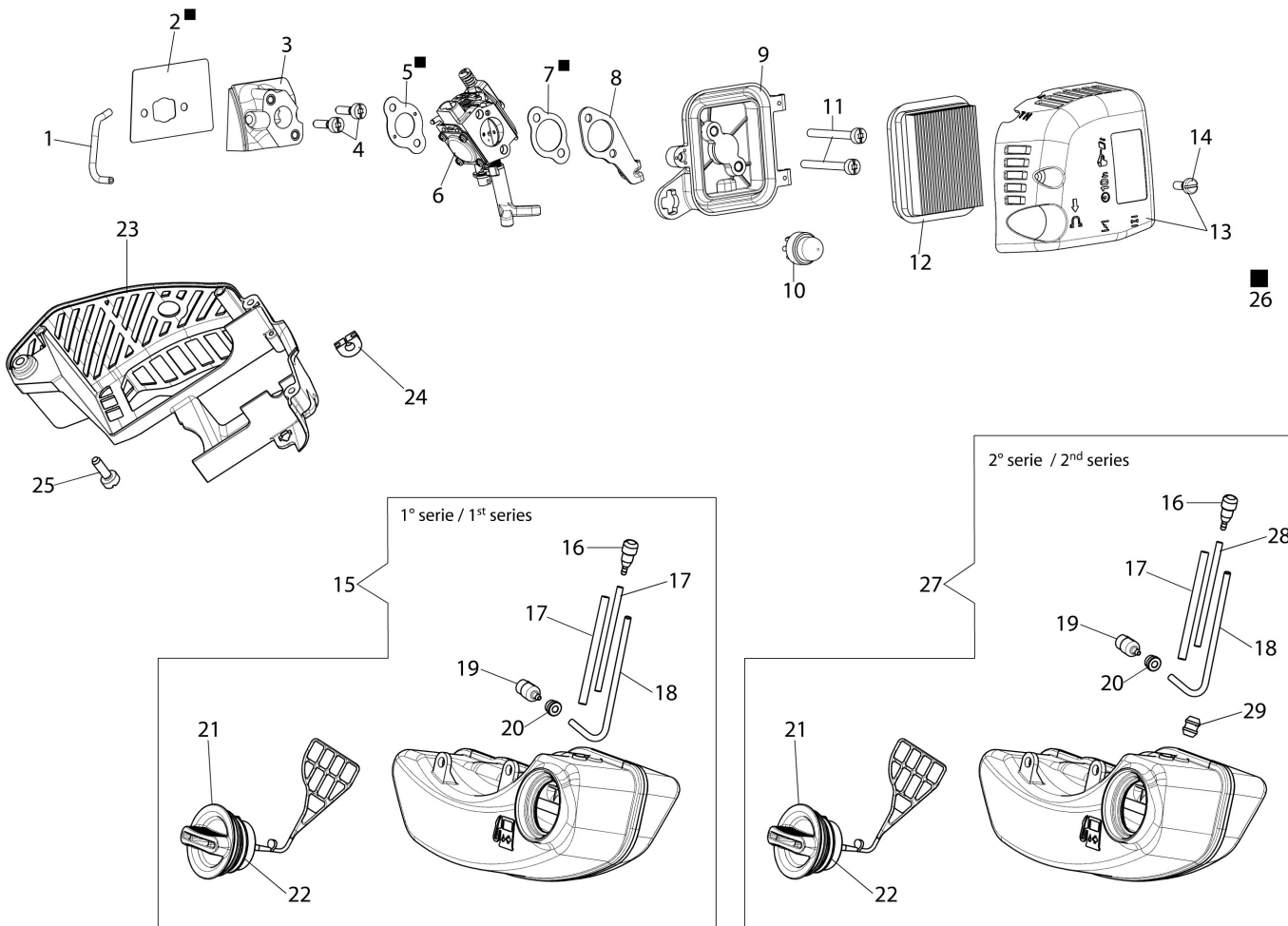
## изображение Engine

| Ref.Nu | Qty | Part number | Description                | Validity from | Validity till | Notes | Bulletin |
|--------|-----|-------------|----------------------------|---------------|---------------|-------|----------|
| 1      | 6   | 3891048R    | Screw                      |               |               |       |          |
| 2      | 1   | 58090096    | Muffler assy               |               |               |       |          |
| 3      | 1   | 61370634R   | Gasket                     |               |               |       |          |
| 4      | 1   | 58090098    | Gasket set                 |               |               |       |          |
| 5      | 1   | 3055112R    | Spark plug                 |               |               |       |          |
| 6      | 1   | 61370606A   | Complete cylinder Ø32      |               |               |       |          |
| 7      | 1   | 58090036AR  | Gasket                     |               |               |       |          |
| 8      | 1   | 58070019R   | Piston pin                 |               |               |       |          |
| 9      | 2   | 61370575R   | Piston ring                |               |               |       |          |
| 10     | 2   | 58070166BR  | Ring                       |               |               |       |          |
| 11     | 1   | 61370605A   | Piston assy Ø32            |               |               |       |          |
| 12     | 1   | 3912014R    | Nut                        |               |               |       |          |
| 13     | 1   | 3819031R    | Washer                     |               |               |       |          |
| 14     | 1   | 58090005AR  | Flywheel                   |               |               |       |          |
| 15     | 3   | 3891057R    | Screw                      |               |               |       |          |
| 16     | 2   | 3050042R    | Seal ring                  |               |               |       |          |
| 17     | 2   | 3025018R    | Ring                       |               |               |       |          |
| 18     | 2   | 3034029R    | Bearing                    |               |               |       |          |
| 19     | 1   | 61370254    | Set roller cage and washer |               |               |       |          |
| 20     | 1   | 58090033R   | Crankshaft                 |               |               |       |          |
| 21     | 1   | 58090002BR  | Crankcase assy             |               |               |       |          |
| 22     | 1   | 58090059R   | Support                    |               |               |       |          |
| 23     | 1   | 094600126   | Tube                       |               |               |       |          |



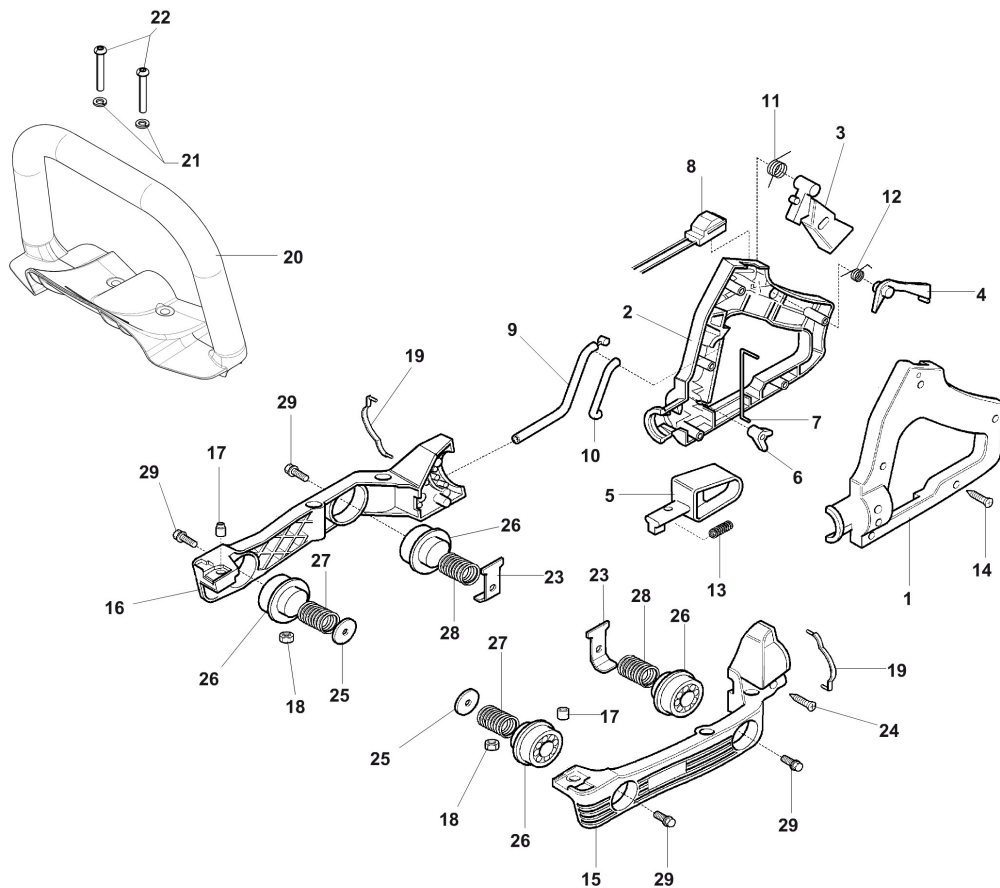
## изображение Ignition system

| Ref.Nu | Qty | Part number | Description     | Validity from | Validity till | Notes | Bulletin |
|--------|-----|-------------|-----------------|---------------|---------------|-------|----------|
| 1      | 4   | 3891038R    | Screw           |               |               |       |          |
| 2      | 2   | 3893060R    | Screw           |               |               |       |          |
| 3      | 1   | 58090048R   | Starter assy    |               |               |       |          |
| 4      | 1   | 093500397R  | Starter handle  |               |               |       |          |
| 5      | 1   | 58070054R   | Starter rope    |               |               |       |          |
| 6      | 1   | 072700089R  | Bushing         |               |               |       |          |
| 7      | 1   | 61070036R   | Spring          |               |               |       |          |
| 8      | 1   | 58090016R   | Starter pulley  |               |               |       |          |
| 9      | 1   | 58090019R   | Spring          |               |               |       |          |
| 10     | 1   | 58090018R   | Sprocket        |               |               |       |          |
| 11     | 1   | 50160024    | Screw           |               |               |       |          |
| 12     | 1   | 58090061R   | Cable           |               |               |       |          |
| 13     | 2   | 3891020R    | Screw           |               |               |       |          |
| 14     | 1   | 58070053R   | Spark plug cap  |               |               |       |          |
| 15     | 1   | 2501023BR   | Ignition coil   |               |               |       |          |
| 16     | 2   | 50160218BR  | Spacer          |               |               |       |          |
| 17     | 1   | 3064034R    | Washer          |               |               |       |          |
| 18     | 1   | 58090003R   | Clutch driver   |               |               |       |          |
| 19     | 4   | 3918007R    | Washer          |               |               |       |          |
| 20     | 1   | 61070090R   | Spring          |               |               |       |          |
| 21     | 1   | 61372171R   | Set spacer      |               |               |       |          |
| 22     | 2   | 015000044R  | Screw           |               |               |       |          |
| 23     | 1   | 61370557    | Complete clutch |               |               |       |          |
| 24     | 2   | 3916004R    | Washer          |               |               |       |          |



## изображение Tank and air filter

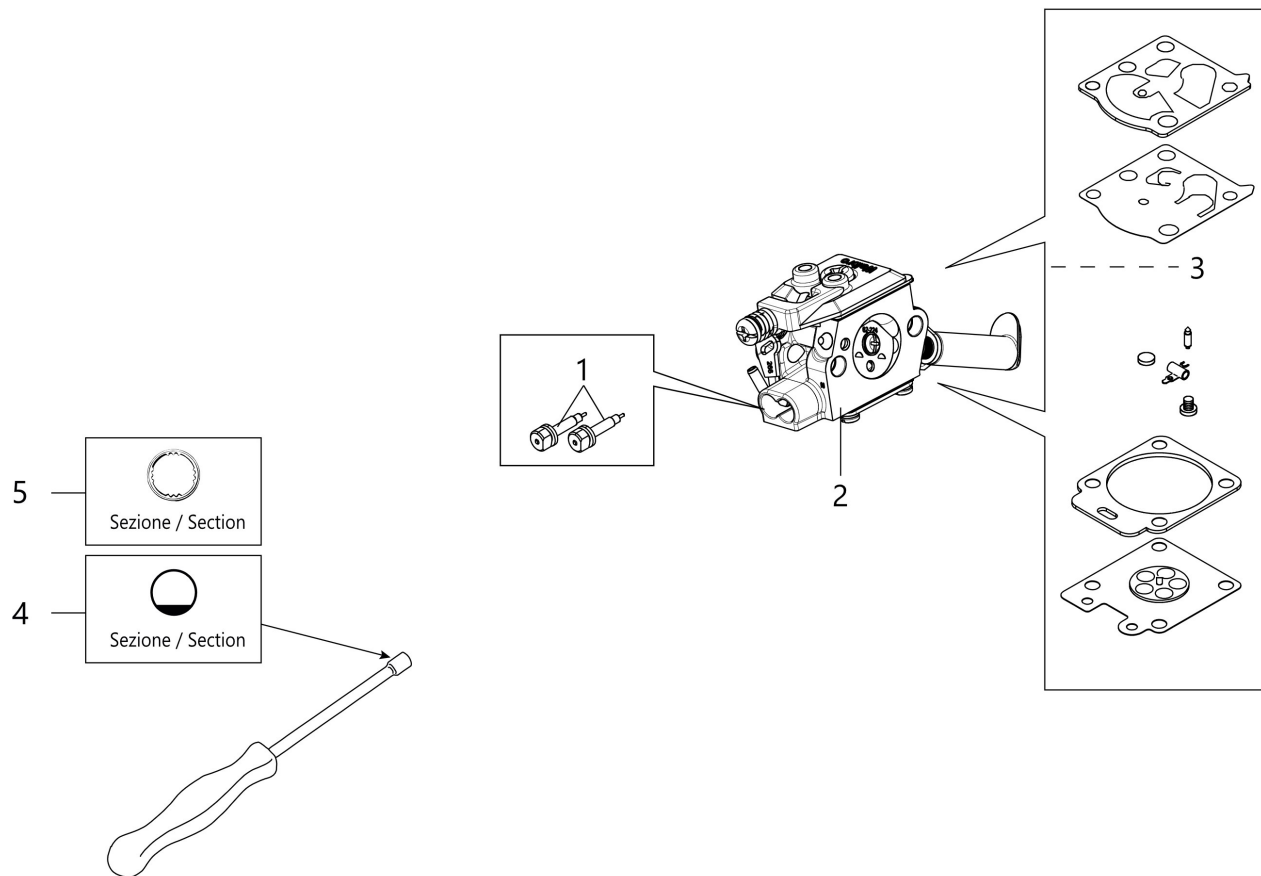
| Ref.Nu | Qty | Part number | Description            | Validity from | Validity till | Notes     | Bulletin      |
|--------|-----|-------------|------------------------|---------------|---------------|-----------|---------------|
| 1      | 1   | 58090060R   | Tube                   |               |               |           |               |
| 2      | 1   | 58090039AR  | Gasket                 |               |               |           |               |
| 3      | 1   | 58090040R   | Flange                 |               |               |           |               |
| 4      | 2   | 3891048R    | Screw                  |               |               |           |               |
| 5      | 1   | 61200196AR  | Gasket                 |               |               |           |               |
| 6      | 1   | 2318008ER   | Carburetor             |               |               |           |               |
| 7      | 1   | 56570058R   | Gasket                 |               |               |           |               |
| 8      | 1   | 58090044AR  | Bracket                |               |               |           |               |
| 9      | 1   | 58092007BR  | Air filter support set |               |               |           |               |
| 10     | 1   | 2318817R    | Air purge              |               |               |           |               |
| 11     | 2   | 3891063R    | Screw                  |               |               |           |               |
| 12     | 1   | 61170016R   | Air filter             |               |               |           |               |
| 13     | 1   | 58090097    | Air filter cover       |               |               |           |               |
| 14     | 1   | 58070223R   | Screw                  |               |               |           |               |
| 15     | 1   | 58090100B   | Complete tank          |               | SN.4840171035 |           | BT6-111-06/20 |
| 16     | 1   | 61400367R   | Breather valve         |               |               |           |               |
| 17     | 2   | 50080134R   | Tube                   |               | SN.4840171035 |           | BT6-111-06/20 |
| 17     | 1   | 50080134R   | Tube                   | SN.4840171036 |               |           | BT6-111-06/20 |
| 18     | 1   | 3073023AR   | Tube                   |               |               |           |               |
| 19     | 1   | 094600450R  | Fuel filter            |               |               |           |               |
| 20     | 1   | 58070179AR  | Washer                 |               |               |           |               |
| 21     | 1   | 50340266R   | Cap                    |               |               | rosso/red |               |
| 22     | 1   | 099900090R  | Ring                   |               |               |           |               |
| 23     | 2   | 58090009AR  | Lower cover            |               |               |           |               |
| 24     | 1   | 005000347AR | Grommet                |               |               |           |               |
| 25     | 1   | 3891038R    | Screw                  |               |               |           |               |
| 26     | 1   | 58090098    | Gasket set             |               |               |           |               |
| 27     | 1   | 58090100B   | Complete tank          | SN.4840171036 |               |           | BT6-111-06/20 |
| 28     | 1   | 61380111R   | Breather fuel pipe     | SN.4840171036 |               |           | BT6-111-06/20 |
| 29     | 1   | 4161211R    | Bush                   | SN.4840171036 |               |           | BT6-111-06/20 |





## изображение Handle

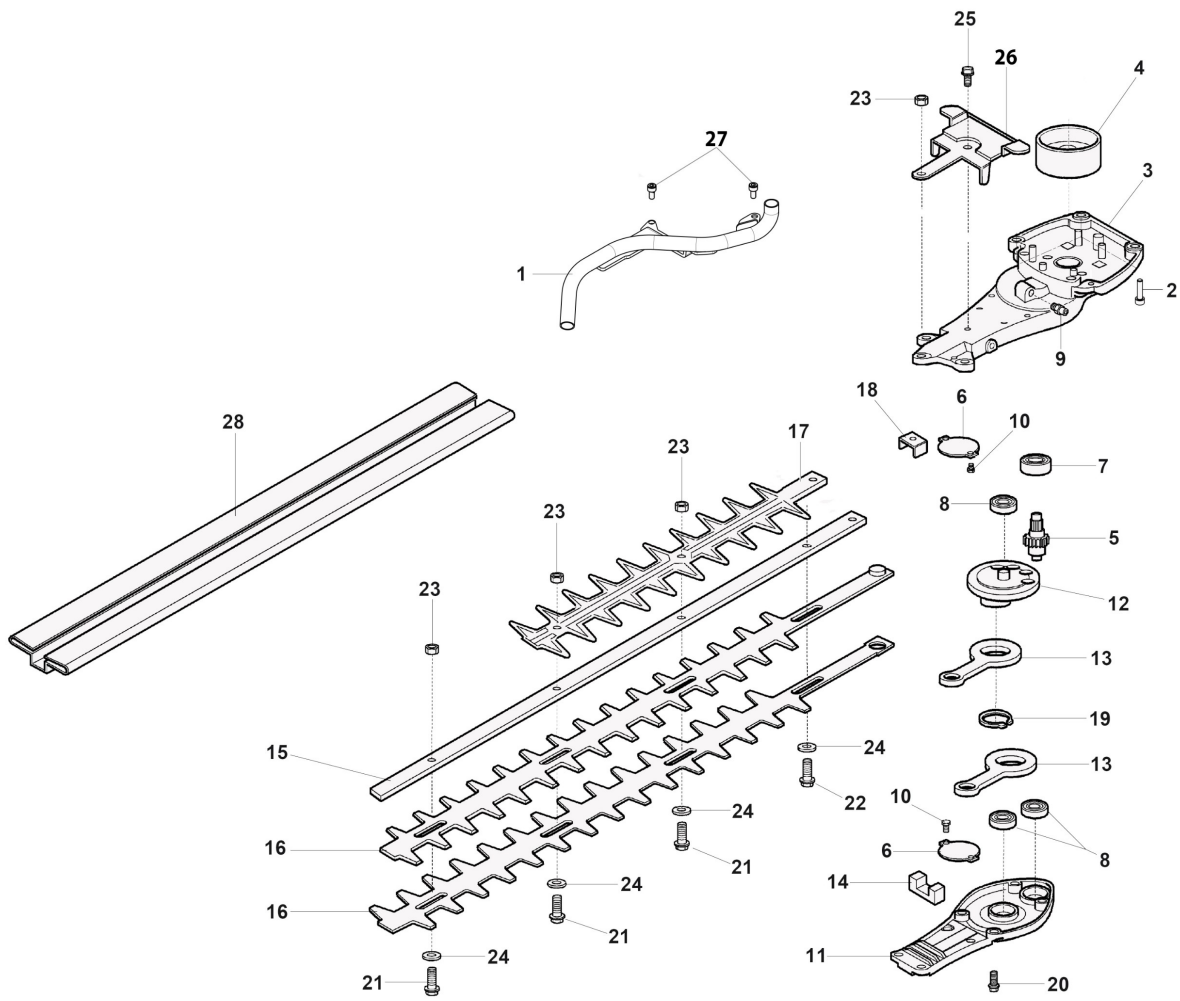
| Ref.Nu | Qty | Part number | Description     | Validity from | Validity till | Notes | Bulletin |
|--------|-----|-------------|-----------------|---------------|---------------|-------|----------|
| 1      | 1   | W58040032   | Half grip left  |               |               |       |          |
| 2      | 1   | W58040033   | Half grip right |               |               |       |          |
| 3      | 1   | W58070021R  | Throttle lever  |               |               |       |          |
| 4      | 1   | W58040035   | Lever           |               |               |       |          |
| 5      | 1   | W58040036   | Lever           |               |               |       |          |
| 6      | 1   | W58040037   | Pin             |               |               |       |          |
| 7      | 1   | W58040038   | Throttle rod    |               |               |       |          |
| 8      | 1   | W58070014R  | Switch          |               |               |       |          |
| 9      | 1   | W58070015R  | Throttle cable  |               |               |       |          |
| 10     | 1   | W58040041   | Spacer          |               |               |       |          |
| 11     | 1   | W58040042   | Spring          |               |               |       |          |
| 12     | 1   | W58040043   | Spring          |               |               |       |          |
| 13     | 1   | W58040044   | Spring          |               |               |       |          |
| 14     | 5   | W58040045   | Screw           |               |               |       |          |
| 15     | 1   | W58040046R  | Support left    |               |               |       |          |
| 16     | 1   | W58040047R  | Support right   |               |               |       |          |
| 17     | 2   | W58040048   | Spacer          |               |               |       |          |
| 18     | 2   | W58040023R  | Nut             |               |               |       |          |
| 19     | 2   | W58040050   | Gasket          |               |               |       |          |
| 20     | 1   | 58090035BR  | Front handle    |               |               |       |          |
| 21     | 2   | 3819010R    | Washer          |               |               |       |          |
| 22     | 2   | 3901088R    | Screw           |               |               |       |          |
| 23     | 2   | W58040063   | Support         |               |               |       |          |
| 24     | 3   | W58040055   | Screw           |               |               |       |          |
| 25     | 1   | W58040064   | Washer          |               |               |       |          |
| 26     | 4   | W58040057R  | Spring support  |               |               |       |          |
| 27     | 2   | W58040058R  | Spring          |               |               |       |          |
| 28     | 2   | W58040059R  | Spring          |               |               |       |          |
| 29     | 4   | W58040025   | Screw           |               |               |       |          |



## изображение Carburetor

---

| Ref.Nu | Qty | Part number | Description                        | Validity from | Validity till | Notes | Bulletin   |
|--------|-----|-------------|------------------------------------|---------------|---------------|-------|------------|
| 1      | 2   | 2318779     | Adjust. screw MIN                  |               |               |       |            |
| 2      | 1   | 2318008ER   | Carburetor                         |               |               |       |            |
| 3      | 1   | 2318671     | Repair kit                         |               |               |       |            |
| 4      | 1   | 3052036R    | Special screwdriver "D-style" type |               |               |       |            |
| 5      | 1   | 2304001R    | Special screwdriver KNURL-STYLE    |               |               |       | EI02-02_22 |



## изображение Blades assy

| Ref.Nu | Qty | Part number | Description       | Validity from | Validity till | Notes | Bulletin |
|--------|-----|-------------|-------------------|---------------|---------------|-------|----------|
| 1      | 1   | 58090028DR  | Exhaust pipe      |               |               |       |          |
| 2      | 3   | 3801011R    | Screw             |               |               |       |          |
| 3      | 1   | W58070012R  | Upper case        |               |               |       |          |
| 4      | 1   | W58070011R  | Clutch drum       |               |               |       |          |
| 5      | 1   | W58040005   | Sprocket          |               |               |       |          |
| 6      | 2   | W58040006   | Plate             |               |               |       |          |
| 7      | 1   | W58040007R  | Bearing           |               |               |       |          |
| 8      | 3   | W58040008R  | Bearing           |               |               |       |          |
| 9      | 1   | W58040009   | Nipple            |               |               |       |          |
| 10     | 1   | W58040010   | Screw             |               |               |       |          |
| 11     | 1   | W58040011R  | Cover             |               |               |       |          |
| 12     | 1   | W58040012   | Chain sprocket    |               |               |       |          |
| 13     | 2   | W58040013R  | Connecting rod    |               |               |       |          |
| 14     | 1   | W58040014   | Felt              |               |               |       |          |
| 15     | 1   | W58040030R  | Blade guide 750mm |               |               |       |          |
| 16     | 2   | W58070006R  | Blade 750mm       |               |               |       |          |
| 17     | 1   | W58040082   | Guard             |               |               |       |          |
| 18     | 1   | W58040018   | Plate             |               |               |       |          |
| 19     | 1   | W58040019   | Ring              |               |               |       |          |
| 20     | 6   | W58070013R  | Screw             |               |               |       |          |
| 21     | 3   | W58040021R  | Screw             |               |               |       |          |
| 22     | 1   | W58040022   | Screw             |               |               |       |          |
| 23     | 4   | W58040023R  | Nut               |               |               |       |          |
| 24     | 4   | W58040024R  | Washer            |               |               |       |          |
| 25     | 1   | W58070010R  | Screw             |               |               |       |          |
| 26     | 1   | W58040029   | Bracket           |               |               |       |          |
| 27     | 2   | 3801052R    | Screw             |               |               |       |          |
| 28     | 1   | W58040028   | Guard             |               |               | 60 cm |          |
| 28     | 1   | 58040167    | Guard             |               |               | 75 cm |          |