

EF 92R/16 K Cat. 2024 Garden tractor



Документы

Mulching Kit

Grassbag

Mowing deck

Engine

Tank

Transmission

Frame

Front axle

Steering arm

Rear axle

Seat

Cutting plate lifting

Electrical parts

body

Towing hitch

Labels

Top cover

Ignition system

Flywheel

Starter lever

Control lever

Carburetor

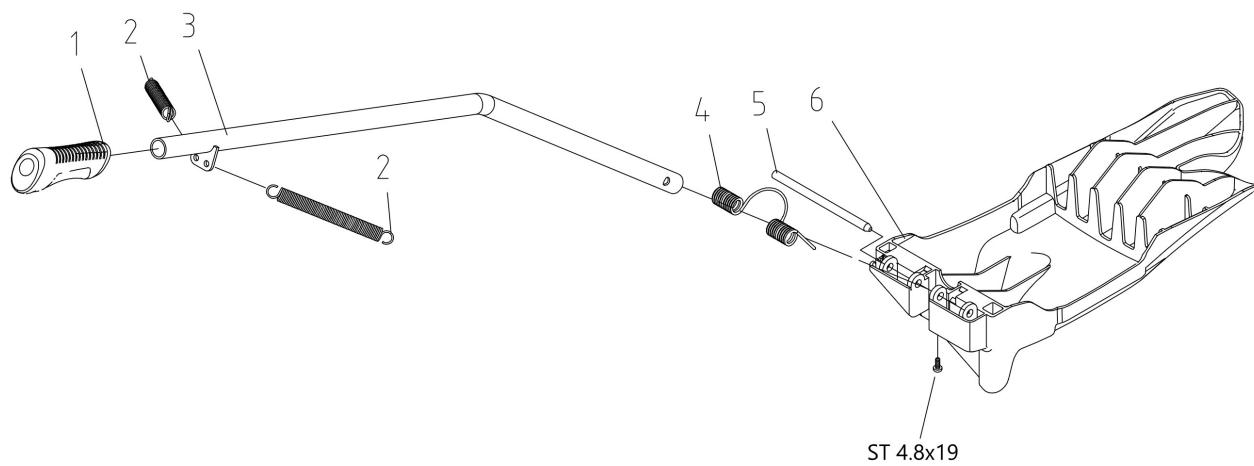
Air filter

Valves

Crankshaft and piston

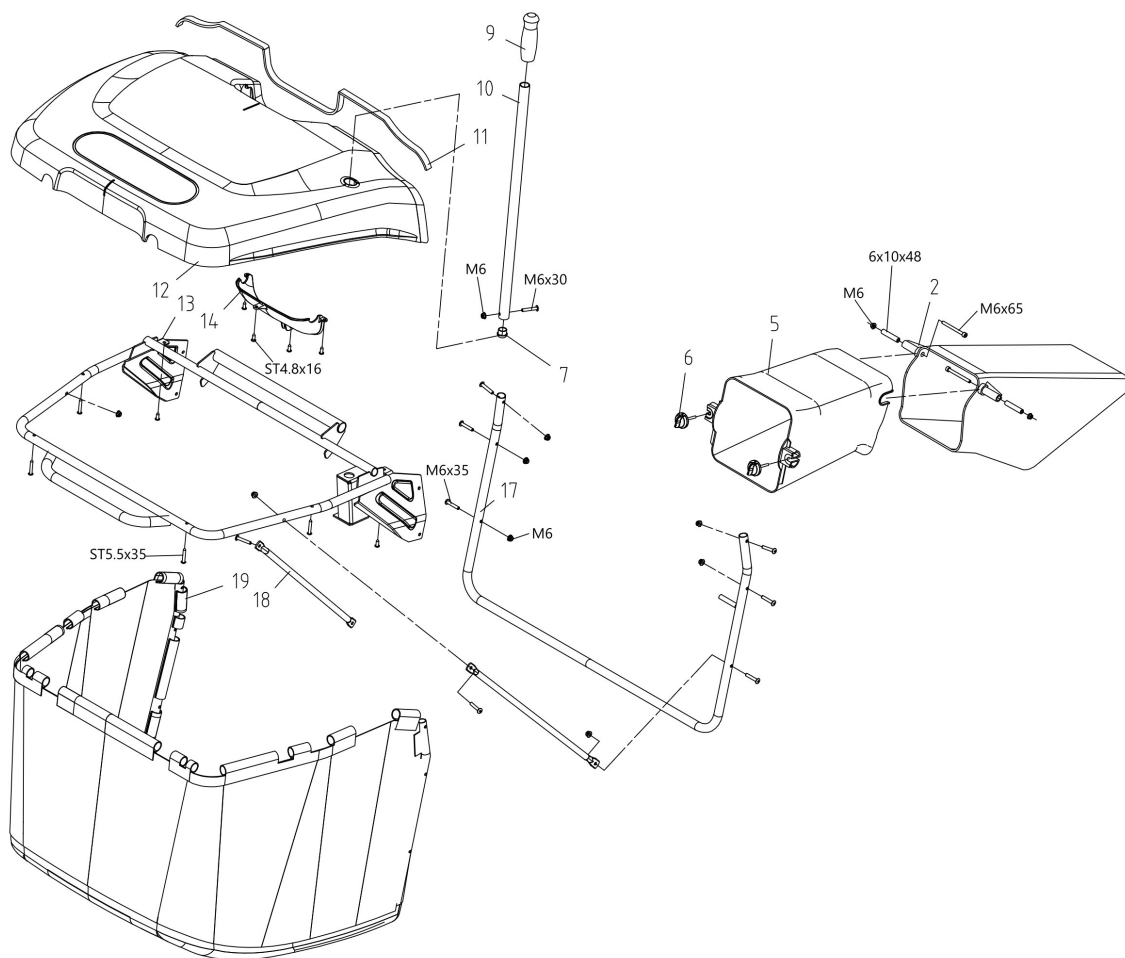
Crankcase cover

Cylinder and crankcase



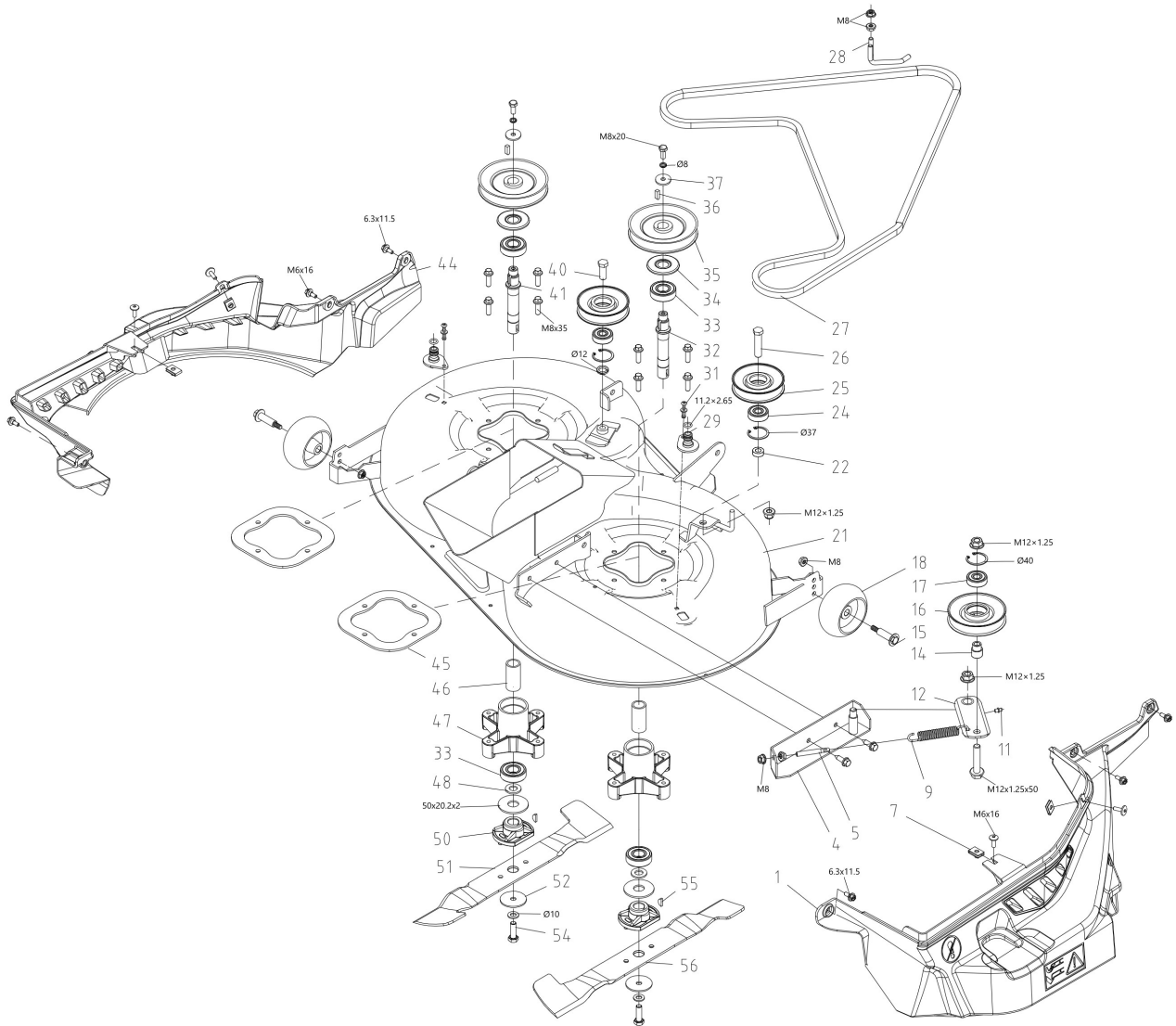
изображение Mulching Kit

| Ref.Nu | Qty | Part number | Description | Validity from | Validity till | Notes | Bulletin |
|--------|-----|-------------|-------------|---------------|---------------|-------|----------|
| 1 | 1 | TS000047R | Knob | | | | |
| 2 | 2 | TS000048R | Spring | | | | |
| 3 | 1 | TS000049R | Handle | | | | |
| 4 | 1 | TS000050R | Spring | | | | |
| 5 | 1 | TS000051R | Pin | | | | |
| 6 | 1 | TS000002R | Deflector | | | | |



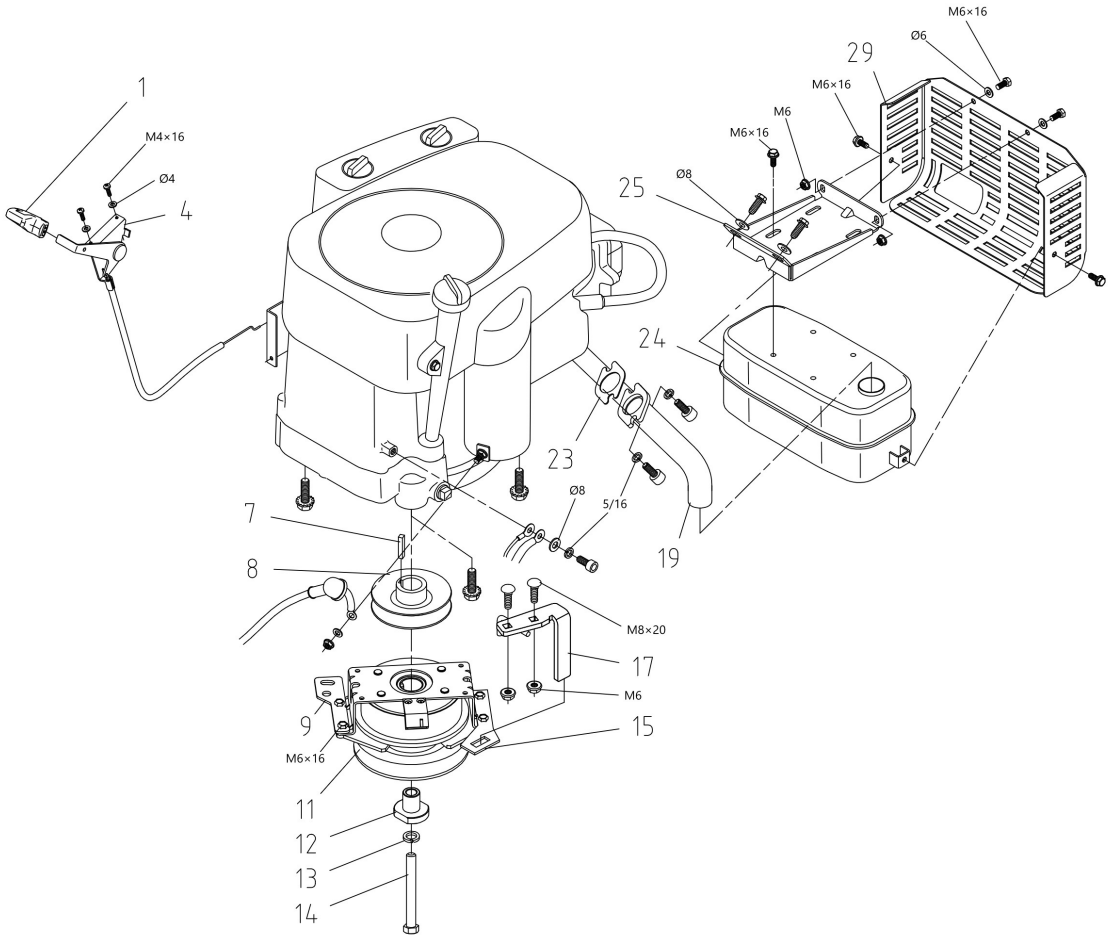
изображение Grassbag

| Ref.Nu | Qty | Part number | Description | Validity from | Validity till | Notes | Bulletin |
|--------|-----|-------------|-----------------|---------------|---------------|-------|----------|
| 2 | 1 | TS000052R | Exhaust | | | | |
| 5 | 1 | TS000053R | Exhaust pipe | | | | |
| 6 | 2 | TS000054R | Screw | | | | |
| 7 | 1 | TS000055R | Cap | | | | |
| 9 | 1 | TS000056R | Knob | | | | |
| 10 | 1 | TS000057R | Lever | | | | |
| 11 | 1 | TS000058R | Gasket | | | | |
| 12 | 1 | TS000004R | Grass-bag cover | | | | |
| 13 | 1 | TS000059R | Frame | | | | |
| 14 | 1 | TS000060R | Cover | | | | |
| 17 | 1 | TS000061R | Frame | | | | |
| 18 | 2 | TS000062R | Bracket | | | | |
| 19 | 1 | TS000381R | Grass collector | | | Efco | |



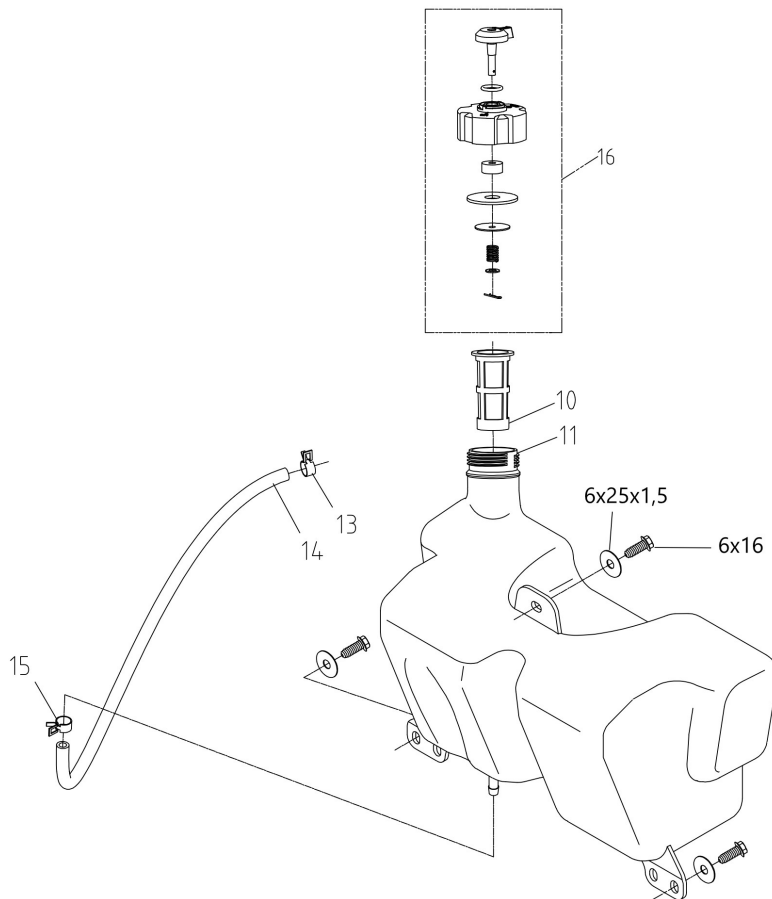
изображение Mowing deck

| Ref.Nu | Qty | Part number | Description | Validity from | Validity till | Notes | Bulletin |
|--------|-----|-------------|-----------------------|---------------|---------------|-------|----------|
| 1 | 1 | TS000101R | Belt cover | | | | |
| 4 | 1 | TS000064R | Bracket | | | | |
| 5 | 1 | TS000065R | Screw | | | | |
| 7 | 4 | TS000066R | Clamp | | | | |
| 9 | 1 | TS000067R | Spring | | | | |
| 11 | 1 | TS000068R | Nipple | | | | |
| 12 | 1 | TS000069R | Lever | | | | |
| 14 | 1 | TS000070R | Bushing | | | | |
| 15 | 2 | TS000071R | Screw | | | | |
| 16 | 1 | TS000072R | Pulley | | | | |
| 17 | 1 | TS000073R | Thrust bearing | | | | |
| 18 | 2 | TS000074R | Wheel | | | | |
| 21 | 1 | TS000102R | Mowing deck | | | | |
| 22 | 1 | TS000076R | Bushing | | | | |
| 24 | 2 | TS000005R | Thrust bearing | | | | |
| 25 | 2 | TS000006R | Pulley | | | | |
| 26 | 1 | TS000077R | Screw | | | | |
| 27 | 1 | TS000103R | Belt | | | | |
| 28 | 1 | TS000079R | Bracket | | | | |
| 29 | 2 | TS000104R | Water hose connection | | | | |
| 31 | 2 | TS000089R | Rivet | | | | |
| 32 | 1 | TS000080R | Blade shaft | | | | |
| 33 | 4 | TS000086R | Thrust bearing | | | | |
| 34 | 2 | TS000085R | Disc (guard) | | | | |
| 35 | 2 | TS000084R | Pulley | | | | |
| 36 | 2 | TS000082R | Key | | | | |
| 37 | 2 | TS000083R | Washer | | | | |
| 40 | 1 | TS000081R | Screw | | | | |
| 41 | 1 | TS000087R | Blade shaft | | | | |
| 44 | 1 | TS000105R | Belt cover | | | | |
| 45 | 2 | TS000091R | Plate | | | | |
| 46 | 2 | TS000092R | Tube | | | | |
| 47 | 2 | TS000093R | Support | | | | |
| 48 | 2 | TS000094R | Spacer | | | | |
| 50 | 2 | TS000095R | Blade hub | | | | |
| 51 | 1 | TS000106R | Blade left | | | | |
| 52 | 2 | TS000097R | Washer | | | | |
| 54 | 1 | TS000098R | Screw | | | | |
| 55 | 2 | TS000099R | Key | | | | |
| 56 | 1 | TS000107R | Blade right | | | | |



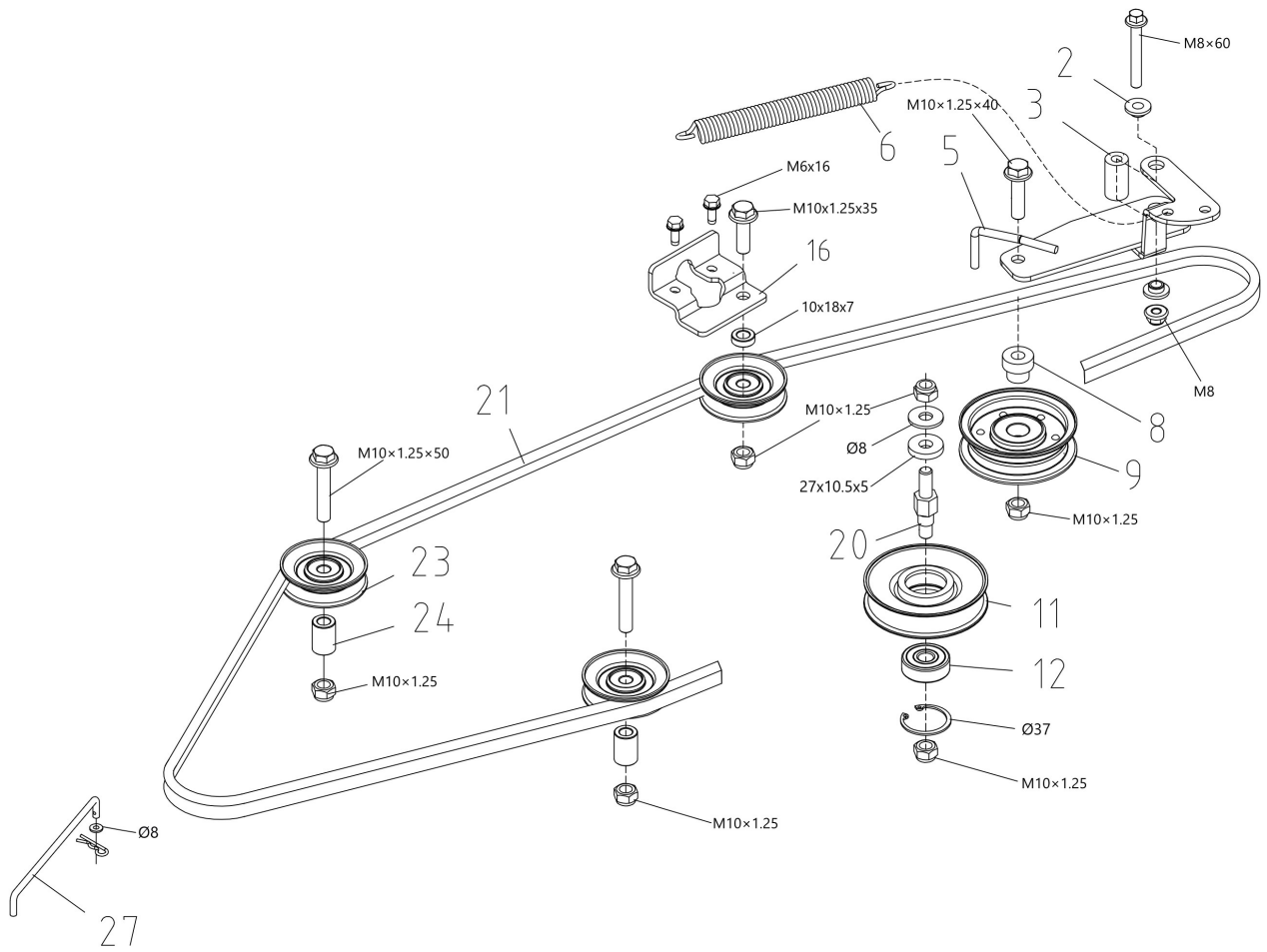
изображение Engine

| Ref.Nu | Qty | Part number | Description | Validity from | Validity till | Notes | Bulletin |
|--------|-----|-------------|----------------|---------------|---------------|--|----------|
| 1 | 1 | TS000147R | Knob | | | | |
| 4 | 1 | TS000008R | Throttle cable | | | | |
| 7 | 1 | TS000009R | Key | | | | |
| 8 | 1 | TS000148R | Pulley | | | Motore 12,5 KM - Engine | |
| 8 | 1 | TS000159R | Pulley | | | Motore 14,5 K / 16 K - Engine 14,5 K / 16 K | |
| 9 | 1 | TS000010R | Support | | | | |
| 11 | 1 | TS000149R | Clutch | | | | |
| 12 | 1 | TS000150R | Bushing | | | | |
| 13 | 1 | TS000151R | Thickness | | | | |
| 14 | 1 | TS000152R | Bolt | | | | |
| 15 | 1 | TS000153R | Plate | | | | |
| 17 | 1 | TS000154R | Bracket | | | Motore 12,5 KM - Engine | |
| 17 | 1 | TS000160R | Bracket | | | Motore 14,5 K / 16 K - Engine 14,5 K / 16 K | |
| 19 | 1 | TS000155R | Exhaust pipe | | | | |
| 23 | 1 | TS000156R | Gasket | | | | |
| 24 | 1 | TS000157R | Muffler | | | | |
| 25 | 1 | TS000158R | Support | | | | |
| 29 | 1 | TS000011R | Grid | | | | |



изображение Tank

| Ref.Nu | Qty | Part number | Description | Validity from | Validity till | Notes | Bulletin |
|--------|-----|-------------|-------------|---------------|---------------|-------|----------|
| 10 | 1 | TS000012R | Filter | | | | |
| 11 | 1 | TS000161R | Tank | | | | |
| 13 | 1 | TS000162R | Band | | | | |
| 14 | 1 | TS000163R | Fuel hose | | | | |
| 15 | 1 | TS000164R | Band | | | | |
| 16 | 1 | TS000013R | Tank cap | | | | |

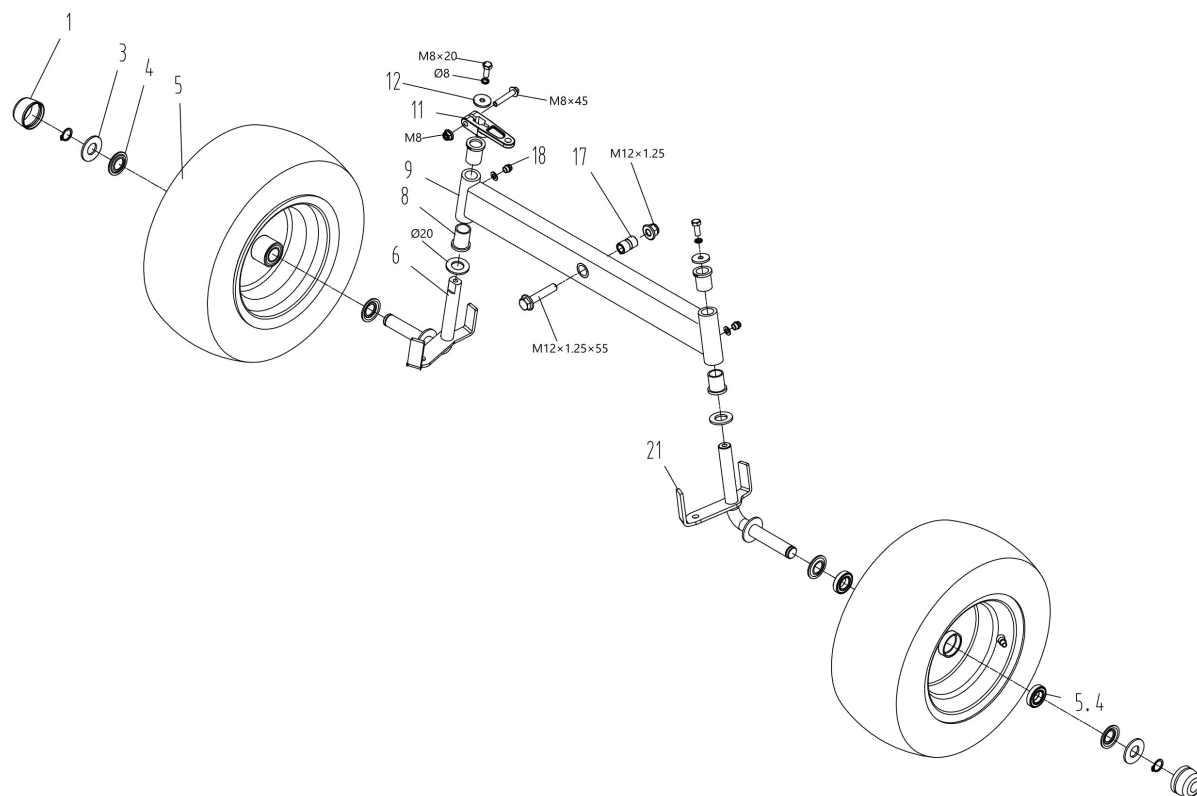


изображение Transmission

| Ref.Nu | Qty | Part number | Description | Validity from | Validity till | Notes | Bulletin |
|--------|-----|-------------|----------------|---------------|---------------|-------|----------|
| 2 | 2 | TS000173R | Bushing | | | | |
| 3 | 1 | TS000253R | Spacer | | | | |
| 5 | 1 | TS000255R | Support | | | | |
| 6 | 1 | TS000130R | Spring | | | | |
| 8 | 1 | TS000122R | Bushing | | | | |
| 9 | 1 | TS000007R | Pulley | | | | |
| 11 | 1 | TS000006R | Pulley | | | | |
| 12 | 1 | TS000005R | Thrust bearing | | | | |
| 16 | 1 | TS000263R | Plate | | | | |
| 20 | 1 | TS000259R | Screw | | | | |
| 21 | 1 | TS000025R | Belt | | | | |
| 23 | 3 | TS000023R | Pulley | | | | |
| 24 | 2 | TS000260R | Bushing | | | | |
| 27 | 1 | TS000264R | Guide pulley | | | | |

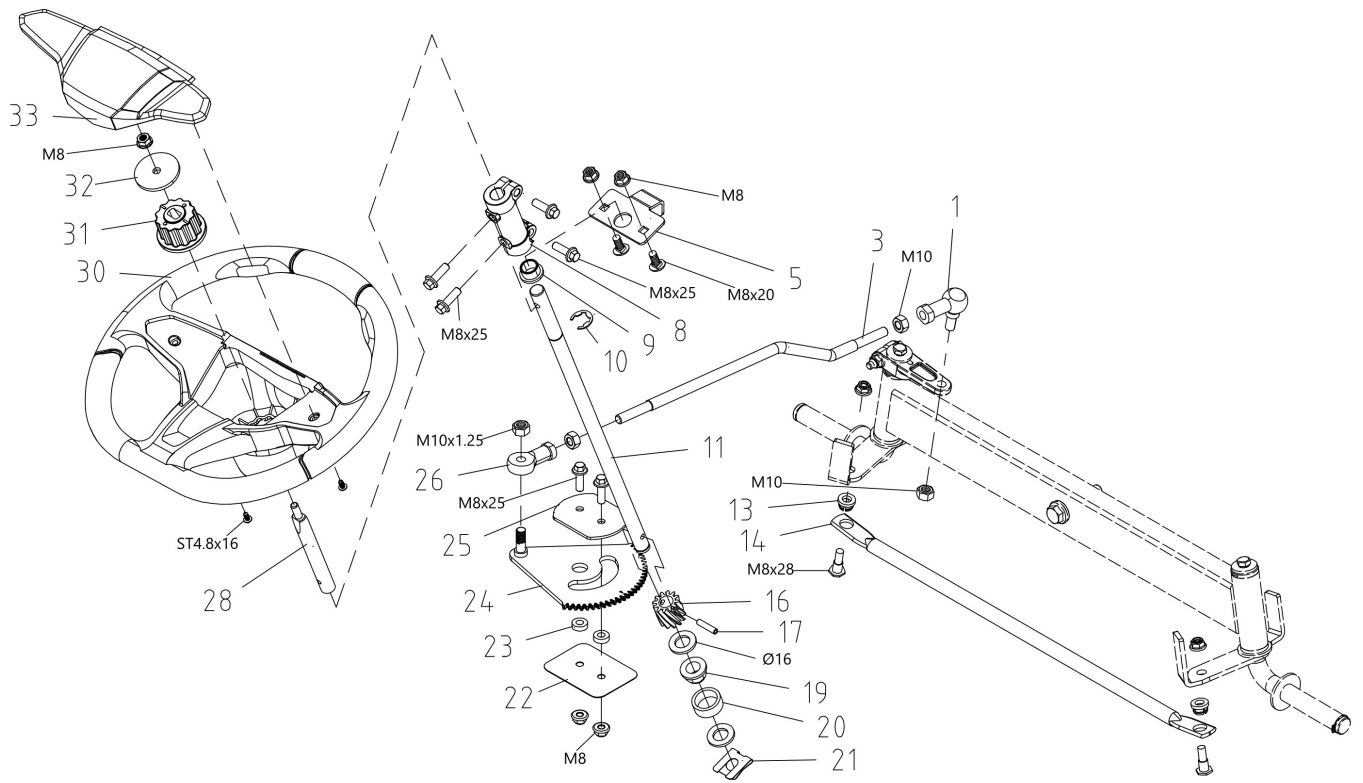
изображение Frame

| Ref.Nu | Qty | Part number | Description | Validity from | Validity till | Notes | Bulletin |
|--------|-----|-------------|-------------------------|---------------|---------------|----------------|----------|
| 2 | 1 | TS000165R | Right footboard support | | | | |
| 4 | 1 | TS000166R | Footrest pad | | | Destra; Right | |
| 5 | 1 | TS000167R | Right footboard cover | | | | |
| 8 | 1 | TS000168R | Right footboard support | | | | |
| 10 | 2 | TS000169R | Bushing | | | | |
| 12 | 1 | TS000170R | Frame | | | | |
| 13 | 1 | TS000171R | Hood support | | | Destra; Right | |
| 14 | 1 | TS000172R | Support | | | Destra; Right | |
| 15 | 4 | TS000014R | Washer | | | | |
| 16 | 1 | TS000015R | Bumper | | | | |
| 17 | 4 | TS000173R | Bushing | | | | |
| 18 | 1 | TS000016R | Bumper | | | | |
| 19 | 1 | TS000017R | Lower hood | | | | |
| 22 | 1 | TS000174R | Hood support | | | Sinistra; Left | |
| 23 | 1 | TS000175R | Support | | | Sinistra; Left | |
| 25 | 2 | TS000176R | Plate | | | | |
| 26 | 1 | TS000177R | Column support | | | | |
| 28 | 1 | TS000178R | Left footboard support | | | | |
| 29 | 1 | TS000179R | Footrest pad | | | Sinistra; Left | |
| 30 | 1 | TS000180R | Left footboard cover | | | | |
| 31 | 1 | TS000181R | Frame | | | | |
| 32 | 2 | TS000182R | Support | | | | |
| 33 | 1 | TS000183R | Left footboard support | | | | |
| 34 | 1 | TS000184R | Support | | | Sinistra; Left | |
| 35 | 2 | TS000185R | Support | | | | |
| 36 | 1 | TS000186R | Support | | | Destra; Right | |
| 37 | 1 | TS000187R | Support | | | Sinistra; Left | |
| 41 | 1 | TS000188R | Support | | | | |
| 42 | 1 | TS000189R | Bracket | | | | |
| 43 | 1 | TS000190R | Hook | | | Sinistra; Left | |
| 44 | 1 | TS000191R | Hook | | | Destra; Right | |
| 45 | 2 | TS000192R | Screw | | | | |
| 47 | 2 | TS000193R | Spring | | | | |
| 48 | 1 | TS000194R | Left bracket | | | | |
| 49 | 1 | TS000195R | Right bracket | | | | |
| 51 | 1 | TS000196R | Support | | | Destra; Right | |
| 52 | 1 | TS000197R | Bracket | | | | |



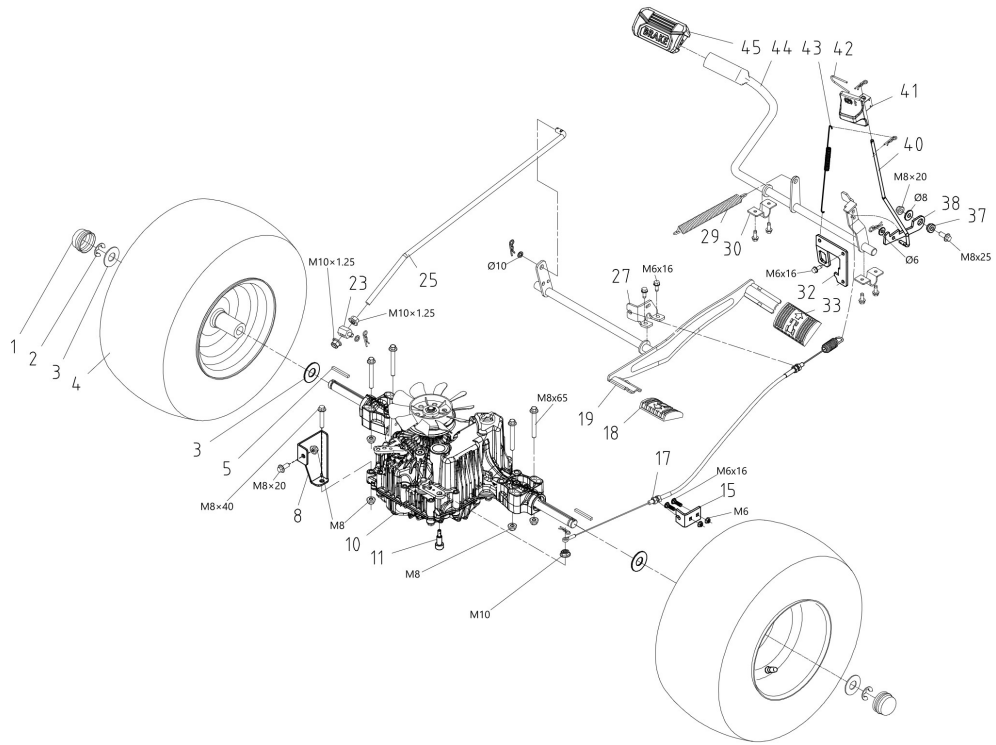
изображение Front axle

| Ref.Nu | Qty | Part number | Description | Validity from | Validity till | Notes | Bulletin |
|--------|-----|-------------|--------------------|---------------|---------------|----------------|----------|
| 1 | 2 | TS000198R | Hub cap | | | | |
| 3 | 2 | TS000199R | Washer | | | | |
| 4 | 4 | TS000200R | Spacer | | | | |
| 5 | 2 | TS000018R | Compl. front wheel | | | | |
| 5,4 | 4 | TS000204R | Thrust bearing | | | | |
| 6 | 1 | TS000019R | Pin | | | Destro; Right | |
| 8 | 4 | TS000020R | Bushing | | | | |
| 9 | 1 | TS000205R | Front axle | | | | |
| 11 | 1 | TS000021R | Lever | | | | |
| 12 | 2 | TS000083R | Washer | | | | |
| 17 | 1 | TS000206R | Spacer | | | | |
| 18 | 2 | TS000068R | Nipple | | | | |
| 21 | 1 | TS000022R | Pin | | | Sinistro; Left | |



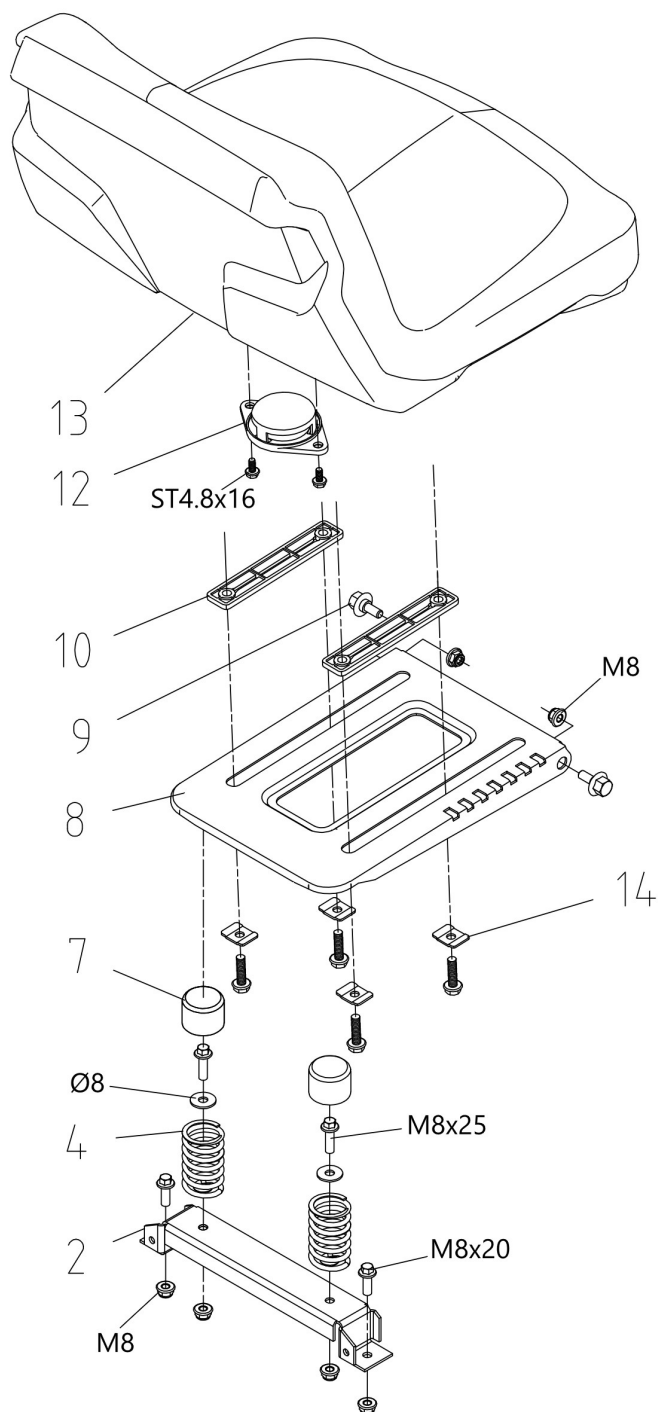
изображение Steering arm

| Ref.Nu | Qty | Part number | Description | Validity from | Validity till | Notes | Bulletin |
|--------|-----|-------------|----------------|---------------|---------------|-------------|----------|
| 1 | 1 | TS000267R | Joint | | | | |
| 3 | 1 | TS000268R | Tie rod | | | | |
| 5 | 1 | TS000269R | Plate | | | | |
| 8 | 1 | TS000270R | Sleeve | | | | |
| 9 | 1 | TS000271R | Bushing | | | | |
| 10 | 1 | TS000272R | Snap ring | | | | |
| 11 | 1 | TS000273R | Steering arm | | | | |
| 13 | 2 | TS000274R | Bushing | | | | |
| 14 | 1 | TS000275R | Tie rod | | | | |
| 16 | 1 | TS000026R | Sprocket | | | | |
| 17 | 1 | TS000276R | Pin | | | | |
| 19 | 1 | TS000378R | Bushing | | | | |
| 20 | 1 | TS000277R | Bushing | | | | |
| 21 | 1 | TS000278R | Cotter pin | | | | |
| 22 | 1 | TS000279R | Fixing plate | | | | |
| 23 | 2 | TS000280R | Bushing | | | | |
| 24 | 1 | TS000027R | Sector | | | | |
| 25 | 1 | TS000281R | Fixing plate | | | | |
| 26 | 1 | TS000282R | Joint | | | | |
| 28 | 1 | TS000283R | Spacer | | | | |
| 30 | 1 | TS000284R | Steering wheel | | | | |
| 31 | 1 | TS000028R | Support | | | | |
| 32 | 1 | TS000379R | Washer | | | | |
| 33 | 1 | TS000375R | Cover | | | Rosso - Red | |



изображение Rear axle

| Ref.Nu | Qty | Part number | Description | Validity from | Validity till | Notes | Bulletin |
|--------|-----|-------------|-------------------|---------------|---------------|-------|----------|
| 1 | 2 | TS000198R | Hub cap | | | | |
| 2 | 2 | TS000207R | Snap ring | | | | |
| 3 | 4 | TS000199R | Washer | | | | |
| 4 | 2 | TS000212R | Compl. rear wheel | | | | |
| 5 | 2 | TS000210R | Key | | | | |
| 8 | 1 | TS000240R | Plate | | | | |
| 10 | 1 | TS000241R | Transmission | | | | |
| 11 | 1 | TS000242R | Pin | | | | |
| 15 | 1 | TS000243R | Support | | | | |
| 17 | 1 | TS000244R | Break cable | | | | |
| 18 | 1 | TS000245R | Clamp cover rear | | | | |
| 19 | 1 | TS000246R | Pedal | | | | |
| 23 | 1 | TS000247R | Pin | | | | |
| 25 | 1 | TS000248R | Tie rod | | | | |
| 27 | 1 | TS000249R | Fixing plate | | | | |
| 29 | 1 | TS000250R | Spring | | | | |
| 30 | 2 | TS000231R | Support | | | | |
| 32 | 1 | TS000230R | Support | | | | |
| 33 | 1 | TS000251R | Clamp cover front | | | | |
| 37 | 1 | TS000232R | Bushing | | | | |
| 38 | 1 | TS000233R | Compl.brake lever | | | | |
| 40 | 1 | TS000234R | Control rod | | | | |
| 41 | 1 | TS000235R | Handle | | | | |
| 42 | 1 | TS000236R | Fork | | | | |
| 43 | 1 | TS000237R | Spring | | | | |
| 44 | 1 | TS000238R | Brake pedal | | | | |
| 45 | 1 | TS000239R | Cover moulding | | | | |

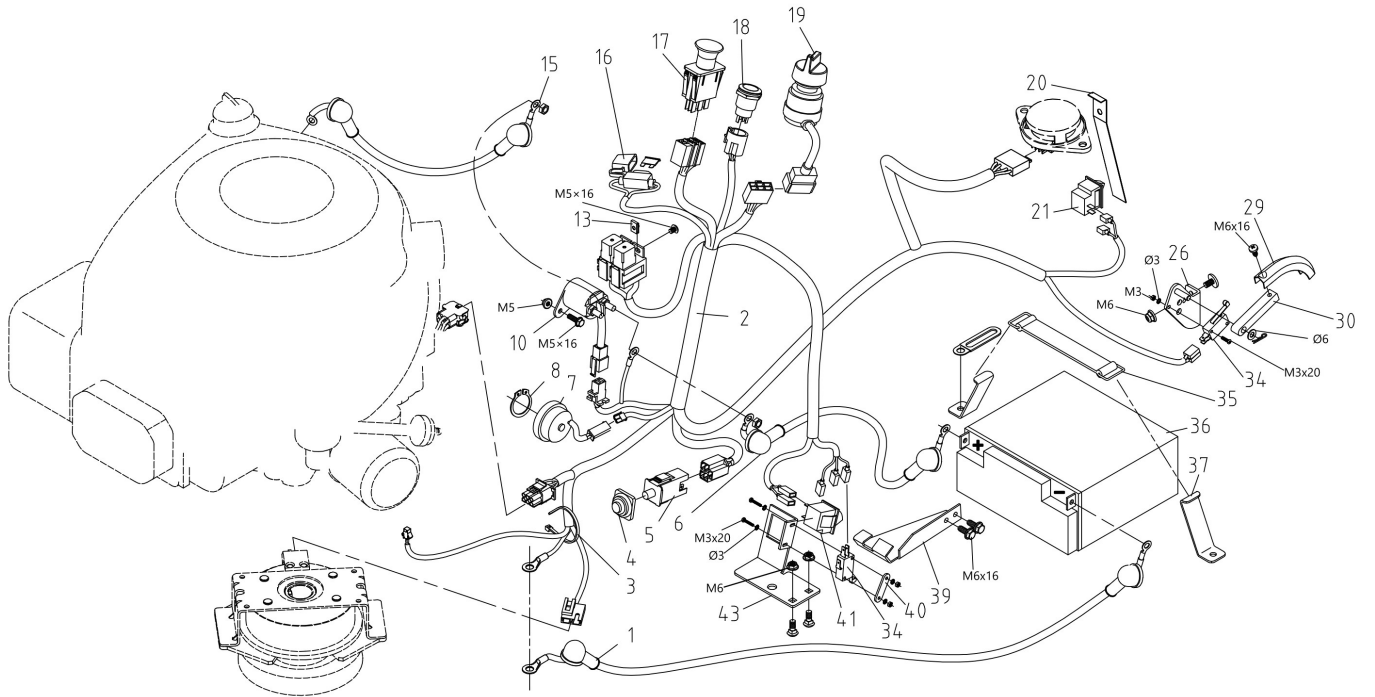


изображение Seat

| Ref.Nu | Qty | Part number | Description | Validity from | Validity till | Notes | Bulletin |
|--------|-----|-------------|--------------|---------------|---------------|-------------|----------|
| 2 | 1 | TS000285R | Bar | | | | |
| 4 | 2 | TS000286R | Spring | | | | |
| 7 | 2 | TS000287R | Cover | | | | |
| 8 | 1 | TS000288R | Seat support | | | | |
| 9 | 2 | TS000289R | Screw | | | | |
| 10 | 2 | TS000290R | Slide | | | | |
| 12 | 1 | TS000029R | Seat switch | | | | |
| 13 | 1 | TS000372R | Seat | | | Rosso - Red | |
| 14 | 4 | TS000291R | Spacer | | | | |

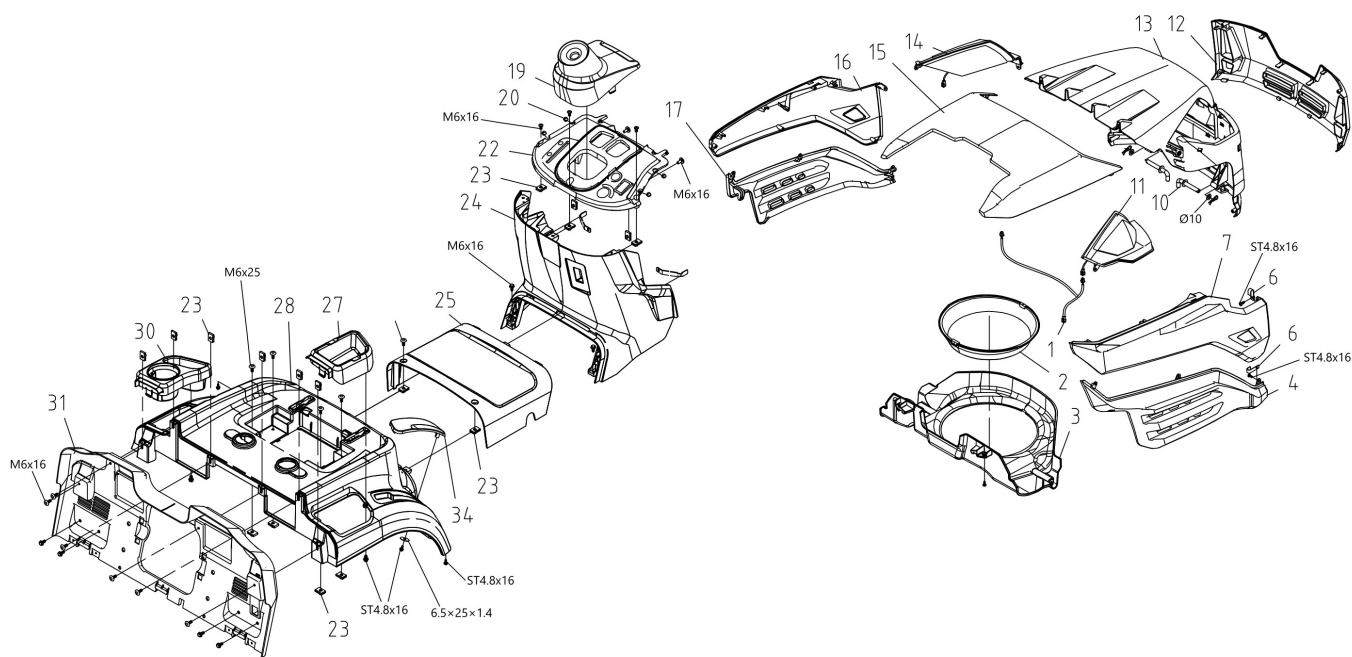
изображение Cutting plate lifting

| Ref.Nu | Qty | Part number | Description | Validity from | Validity till | Notes | Bulletin |
|--------|-----|-------------|-------------|---------------|---------------|-------|----------|
| 3 | 2 | TS000292R | Rod | | | | |
| 4 | 1 | TS000293R | Tie rod | | | | |
| 6 | 1 | TS000294R | Joint | | | | |
| 10 | 1 | TS000295R | Rod | | | | |
| 11 | 1 | TS000296R | Axel lift | | | | |
| 12 | 1 | TS000297R | Rod | | | | |
| 13 | 1 | TS000298R | Support | | | | |
| 15 | 4 | TS000231R | Support | | | | |
| 16 | 2 | TS000299R | Joint | | | | |
| 17 | 1 | TS000300R | Rod | | | | |
| 19 | 1 | TS000301R | Plate | | | | |
| 20 | 1 | TS000226R | Knob | | | | |
| 21 | 1 | TS000030R | Support | | | | |
| 22 | 1 | TS000302R | Spring | | | | |
| 25 | 1 | TS000303R | Spring | | | | |
| 26 | 1 | TS000031R | Lever | | | | |
| 27 | 1 | TS000223R | Snap ring | | | | |
| 28 | 2 | TS000378R | Bushing | | | | |
| 29 | 1 | TS000304R | Lever | | | | |
| 30 | 1 | TS000305R | Tie rod | | | | |
| 31 | 1 | TS000306R | Tie rod | | | | |
| 32 | 1 | TS000307R | Joint | | | | |



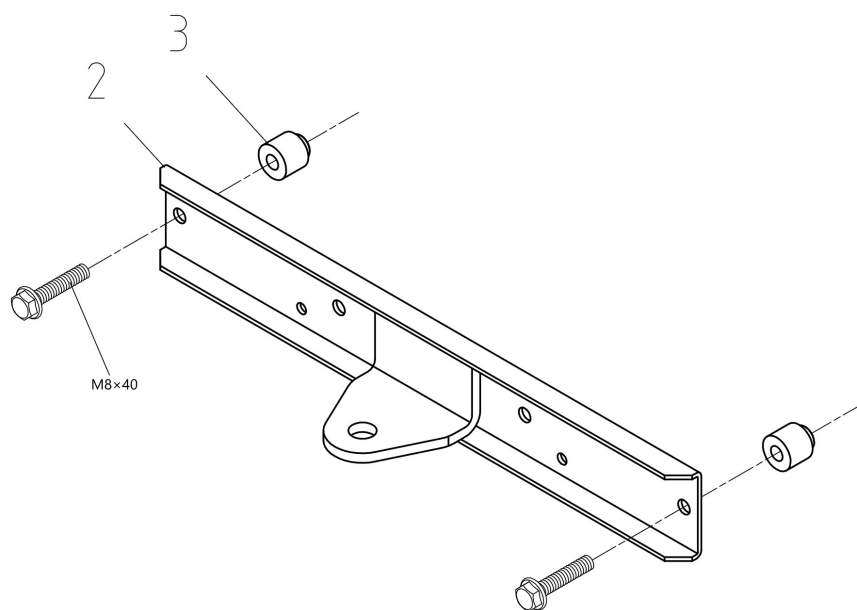
изображение Electrical parts

| Ref.Nu | Qty | Part number | Description | Validity from | Validity till | Notes | Bulletin |
|--------|-----|-------------|-------------------|---------------|---------------|-------|----------|
| 1 | 1 | TS000314R | Battery cables | | | | |
| 2 | 1 | TS000335R | Wiring | | | | |
| 3 | 20 | TS000316R | Band | | | | |
| 3 | 5 | TS000317R | Band | | | | |
| 4 | 1 | TS000318R | Switch protection | | | | |
| 5 | 1 | TS000032R | Switch | | | | |
| 6 | 1 | TS000319R | Battery cables | | | | |
| 7 | 1 | TS000320R | Indicator | | | | |
| 8 | 1 | TS000321R | Snap ring | | | | |
| 10 | 1 | TS000033R | Solenoid | | | | |
| 13 | 1 | TS000323R | Clamp | | | | |
| 15 | 1 | TS000324R | Wire | | | | |
| 16 | 1 | TS000325R | Fuse | | | | |
| 17 | 1 | TS000034R | Switch | | | | |
| 18 | 1 | TS000326R | Switch | | | | |
| 19 | 1 | TS000035R | Shoe | | | | |
| 20 | 1 | TS000327R | Bracket | | | | |
| 21 | 2 | TS000036R | Micro-switch | | | | |
| 26 | 1 | TS000328R | Fixing plate | | | | |
| 29 | 1 | TS000329R | Lever | | | | |
| 30 | 1 | TS000330R | Lever | | | | |
| 34 | 2 | TS000331R | Switch | | | | |
| 35 | 1 | TS000332R | Belt | | | | |
| 36 | 1 | TS000038R | Battery | | | | |
| 37 | 2 | TS000333R | Bracket | | | | |
| 39 | 1 | TS000336R | Control lever | | | | |
| 40 | 1 | TS000337R | Bracket | | | | |
| 41 | 2 | TS000037R | Micro-switch | | | | |
| 43 | 1 | TS000338R | Support | | | | |



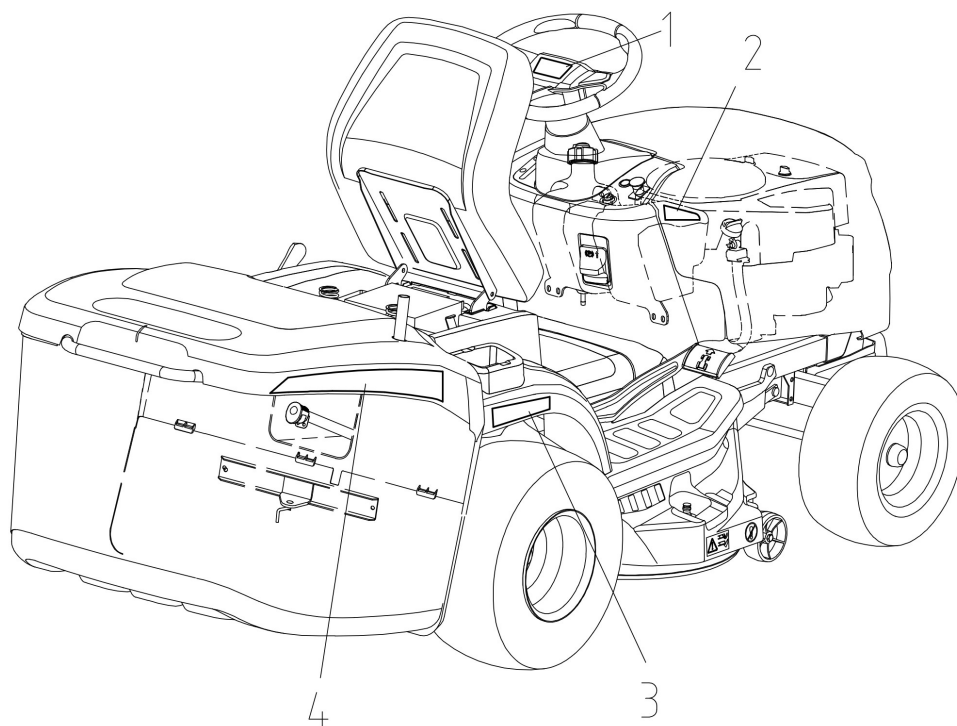
изображение body

| Ref.Nu | Qty | Part number | Description | Validity from | Validity till | Notes | Bulletin |
|--------|-----|-------------|----------------|---------------|---------------|-------------|----------|
| 1 | 1 | TS000340R | Wiring | | | | |
| 2 | 1 | TS000341R | Adapter | | | | |
| 3 | 1 | TS000342R | Deflector | | | | |
| 4 | 1 | TS000343R | Right guard | | | | |
| 6 | 5 | TS000344R | Fairled | | | | |
| 7 | 1 | TS000360R | Right guard | | | Rosso - Red | |
| 10 | 2 | TS000345R | Pin | | | | |
| 11 | 1 | TS000346R | Headlamp | | | | |
| 12 | 1 | TS000363R | Guard | | | Rosso - Red | |
| 13 | 1 | TS000039R | Upper hood | | | | |
| 14 | 1 | TS000347R | Headlamp | | | | |
| 15 | 1 | TS000366R | Engine cover | | | Rosso - Red | |
| 16 | 1 | TS000369R | Left guard | | | Rosso - Red | |
| 17 | 1 | TS000348R | Left guard | | | | |
| 19 | 1 | TS000349R | Cover | | | | |
| 20 | 4 | TS000350R | Shock absorber | | | | |
| 22 | 1 | TS000351R | Dashboard | | | | |
| 23 | 15 | TS000066R | Clamp | | | | |
| 24 | 1 | TS000352R | Panel | | | | |
| 25 | 1 | TS000040R | Cover | | | | |
| 27 | 1 | TS000353R | Housing | | | | |
| 28 | 1 | TS000041R | Wheels cover | | | | |
| 30 | 1 | TS000354R | Housing | | | | |
| 31 | 1 | TS000355R | Panel | | | | |
| 34 | 1 | TS000357R | Lock | | | | |



изображение Towing hitch

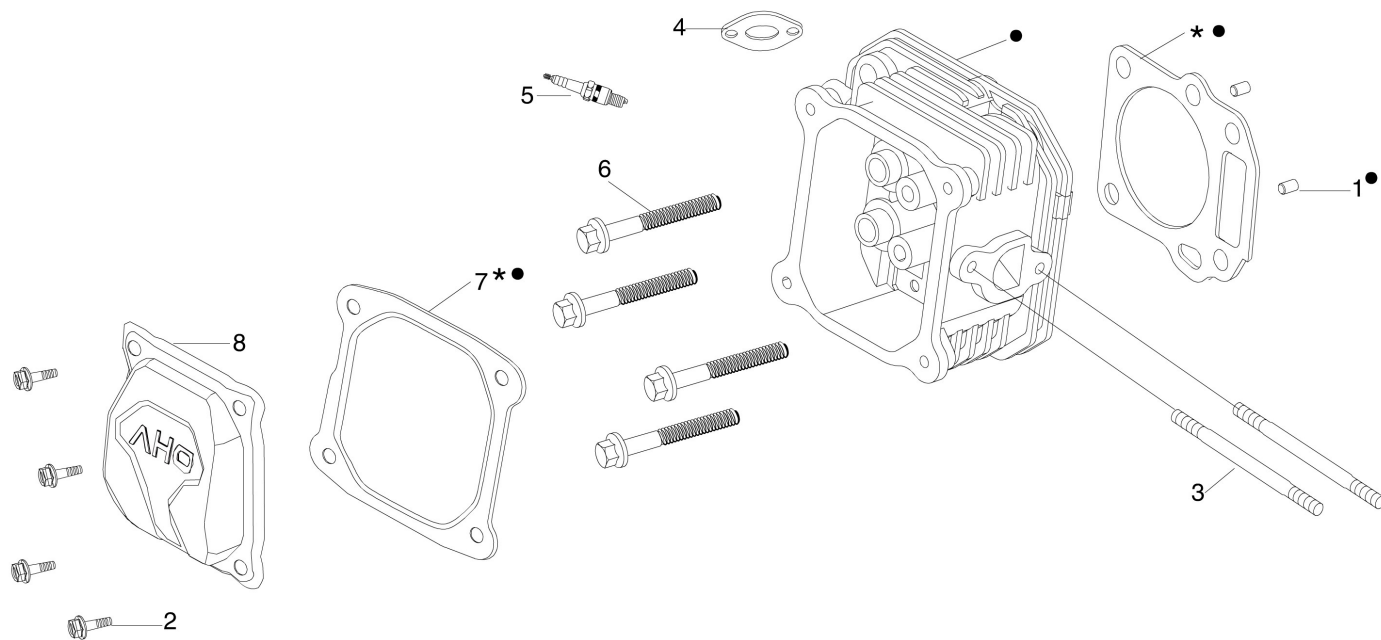
| Ref.Nu | Qty | Part number | Description | Validity from | Validity till | Notes | Bulletin |
|--------|-----|-------------|--------------|---------------|---------------|-------|----------|
| 2 | 1 | TS000358R | Towing hitch | | | | |
| 3 | 2 | TS000359R | Spacer | | | | |



изображение Labels

| Ref.Nu | Qty | Part number | Description | Validity from | Validity till | Notes | Bulletin |
|--------|-----|-------------|-------------|---------------|---------------|-----------------|----------|
| 1 | 1 | TS000405R | Label | | | | |
| 2 | 1 | TS000396R | Label | | | | |
| 3 | 1 | TS000383R | Label | | | 92R/16K | |
| 4 | 1 | TS000399R | Label | | | Destro - Right | |
| 4 | 1 | TS000400R | Label | | | Sinistro - Left | |

10●
9*

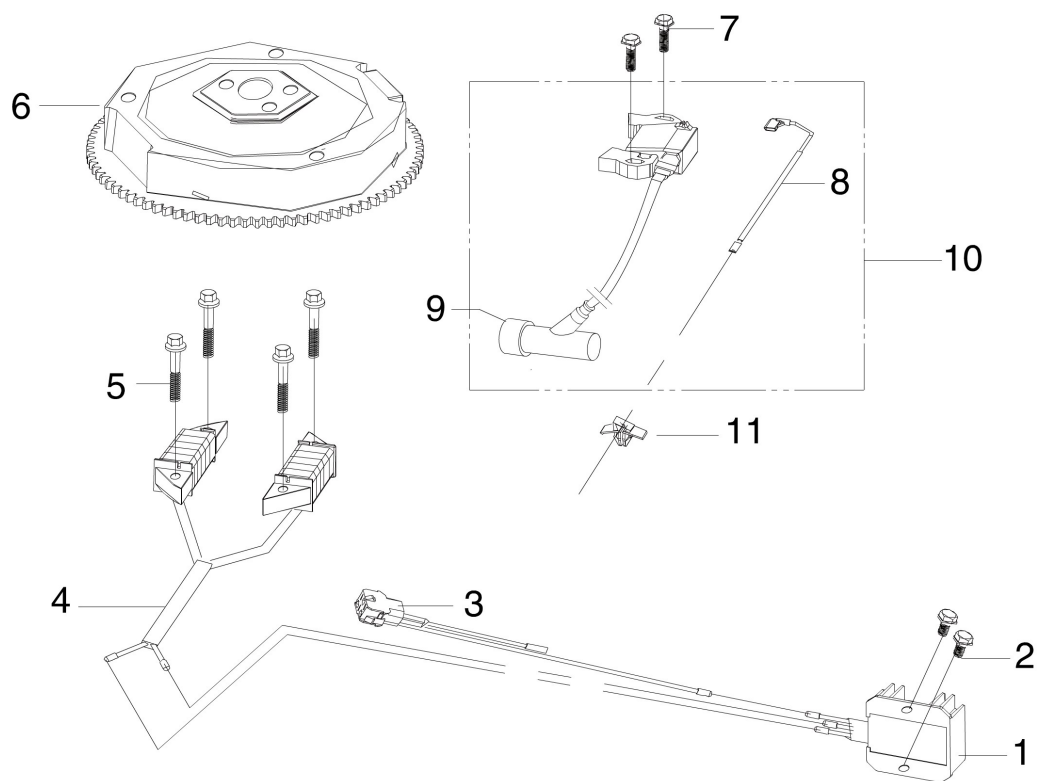


изображение Top cover

| Ref.Nu | Qty | Part number | Description | Validity from | Validity till | Notes | Bulletin |
|--------|-----|-------------|------------------|---------------|---------------|-------|----------|
| 1 | 2 | L66150654 | Pin | | | | |
| 2 | 4 | L66150393 | Screw | | | | |
| 3 | 2 | L66150822 | Stud | | | | |
| 4 | 1 | L66150800 | Gasket | | | | |
| 5 | 1 | 3055122R | Spark plug | | | | |
| 6 | 4 | L66150818 | Bolt | | | | |
| 7 | 1 | L66151496 | Gasket | | | | |
| 8 | 1 | L66151497 | Cover | | | | |
| 9 | 1 | L66151500 | Gasket set | | | | |
| 10 | 1 | L66151501 | Compl. top cover | | | | |

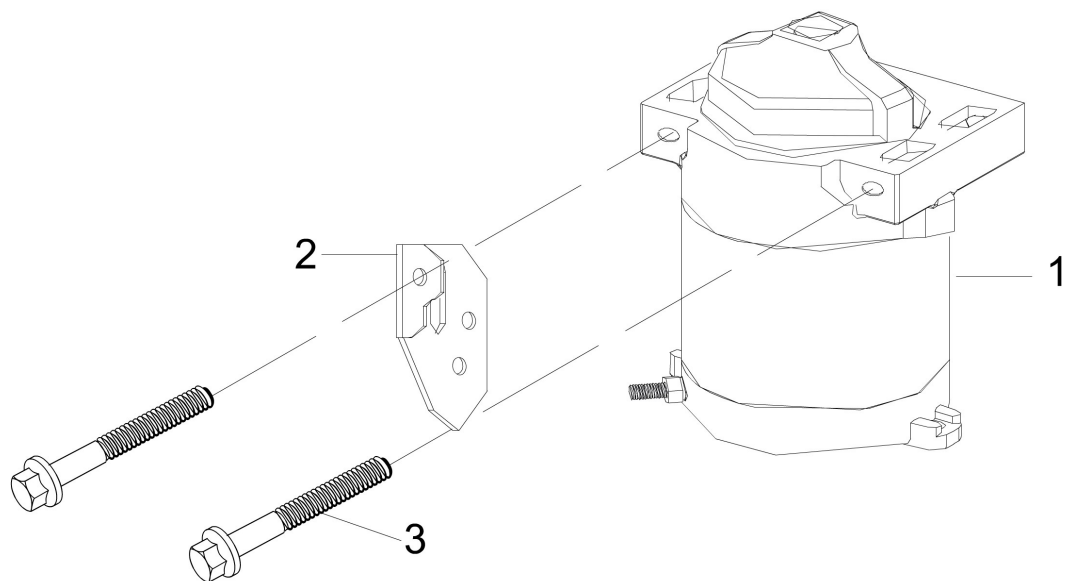
изображение Ignition system

| Ref.Nu | Qty | Part number | Description | Validity from | Validity till | Notes | Bulletin |
|--------|-----|-------------|-------------|---------------|---------------|-------|----------|
| 1 | 1 | L66150771 | Fan | | | | |
| 2 | 1 | L66150802 | Pulley | | | | |
| 3 | 1 | L66150823 | Nut | | | | |
| 4 | 1 | L66150803 | Cover | | | | |
| 5 | 1 | L66150775 | Cover | | | | |
| 6 | 1 | L66150815 | Bolt | | | | |
| 7 | 1 | L66150774 | Guard | | | | |
| 8 | 1 | L66150464 | Screw | | | | |
| 9 | 3 | L66150393 | Screw | | | | |



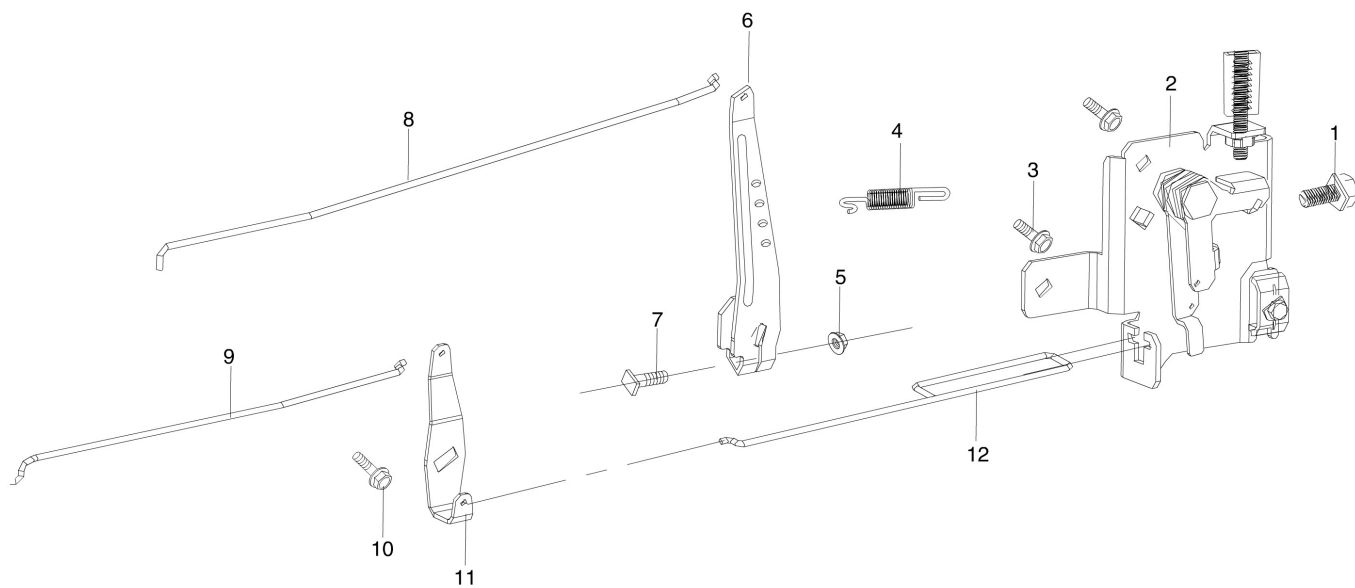
изображение Flywheel

| Ref.Nu | Qty | Part number | Description | Validity from | Validity till | Notes | Bulletin |
|--------|-----|-------------|------------------|---------------|---------------|-------|----------|
| 1 | 1 | L66151485 | Rectifier | | | | |
| 2 | 2 | L66150464 | Screw | | | | |
| 3 | 1 | L66151486 | Grip-end | | | | |
| 4 | 1 | L66151487 | Plate | | | | |
| 5 | 4 | L66150816 | Bolt | | | | |
| 6 | 1 | L66150804 | Flywheel | | | | |
| 7 | 2 | L66150817 | Bolt | | | | |
| 8 | 1 | L66151495 | Engine stop wire | | | | |
| 9 | 1 | L66150810 | Spark plug cap | | | | |
| 10 | 1 | L66151488 | Ignition coil | | | | |
| 11 | 1 | L66151489 | Clip | | | | |



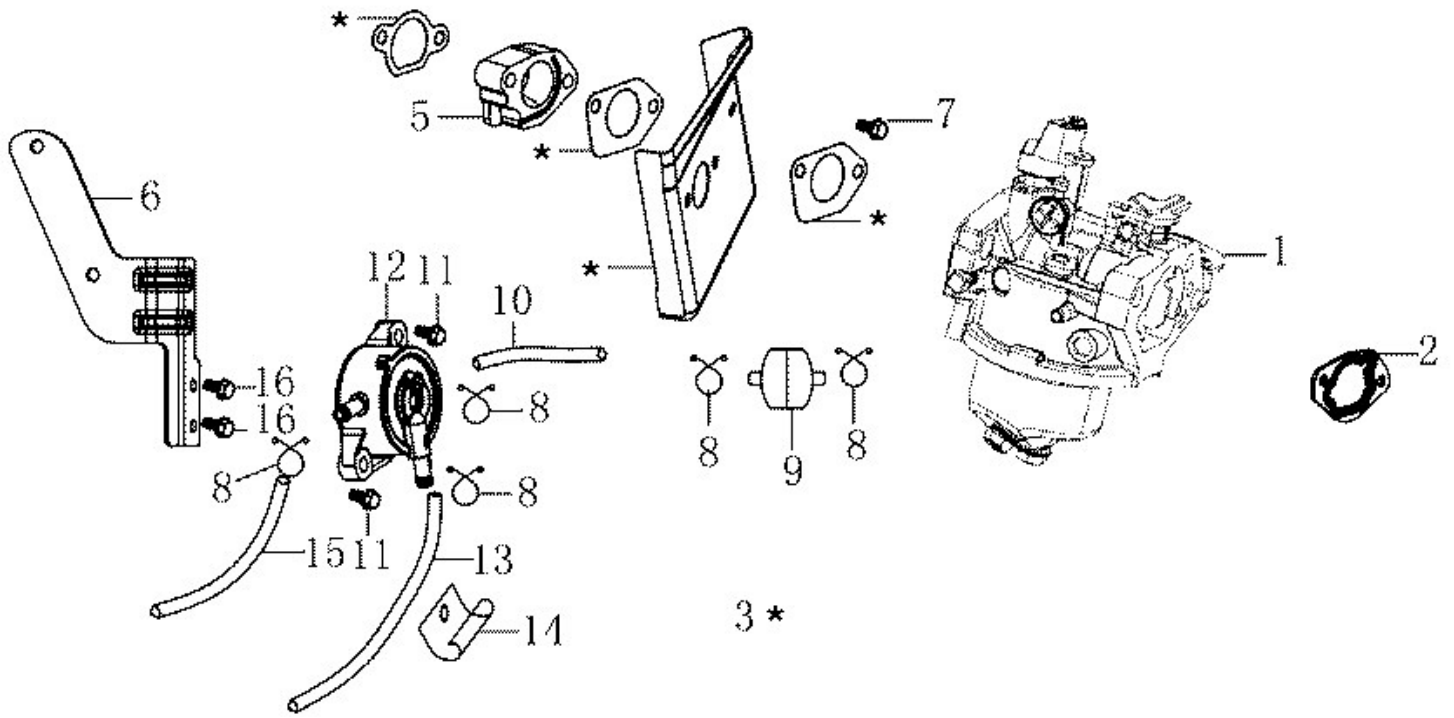
изображение Starter lever

| Ref.Nu | Qty | Part number | Description | Validity from | Validity till | Notes | Bulletin |
|--------|-----|-------------|---------------|---------------|---------------|-------|----------|
| 1 | 1 | L66151490 | Starter lever | | | | |
| 2 | 1 | L66150808 | Bracket | | | | |
| 3 | 2 | L66150821 | Bolt | | | | |



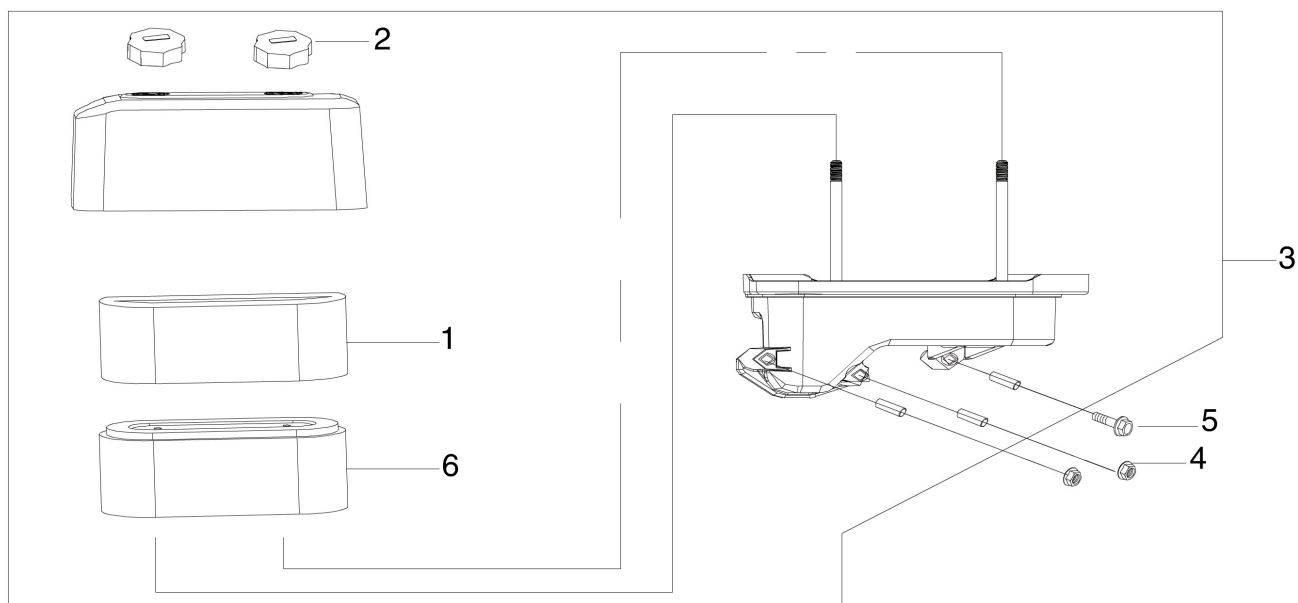
изображение Control lever

| Ref.Nu | Qty | Part number | Description | Validity from | Validity till | Notes | Bulletin |
|--------|-----|-------------|--------------------|---------------|---------------|-------|----------|
| 1 | 1 | L66150251 | Screw | | | | |
| 2 | 1 | L66151491 | Control | | | | |
| 3 | 2 | L66150393 | Screw | | | | |
| 4 | 1 | L66150792 | Spring | | | | |
| 5 | 1 | 004400959R | Nut | | | | |
| 6 | 1 | L66150793 | Governor arm shaft | | | | |
| 7 | 1 | L66150382 | Screw | | | | |
| 8 | 1 | L66150791 | Governor rod | | | | |
| 9 | 1 | L66150790 | Starter cable | | | | |
| 10 | 1 | L66150813 | Bolt | | | | |
| 11 | 1 | L66150789 | Plate | | | | |
| 12 | 1 | L66150795 | Throttle rod | | | | |



изображение Carburetor

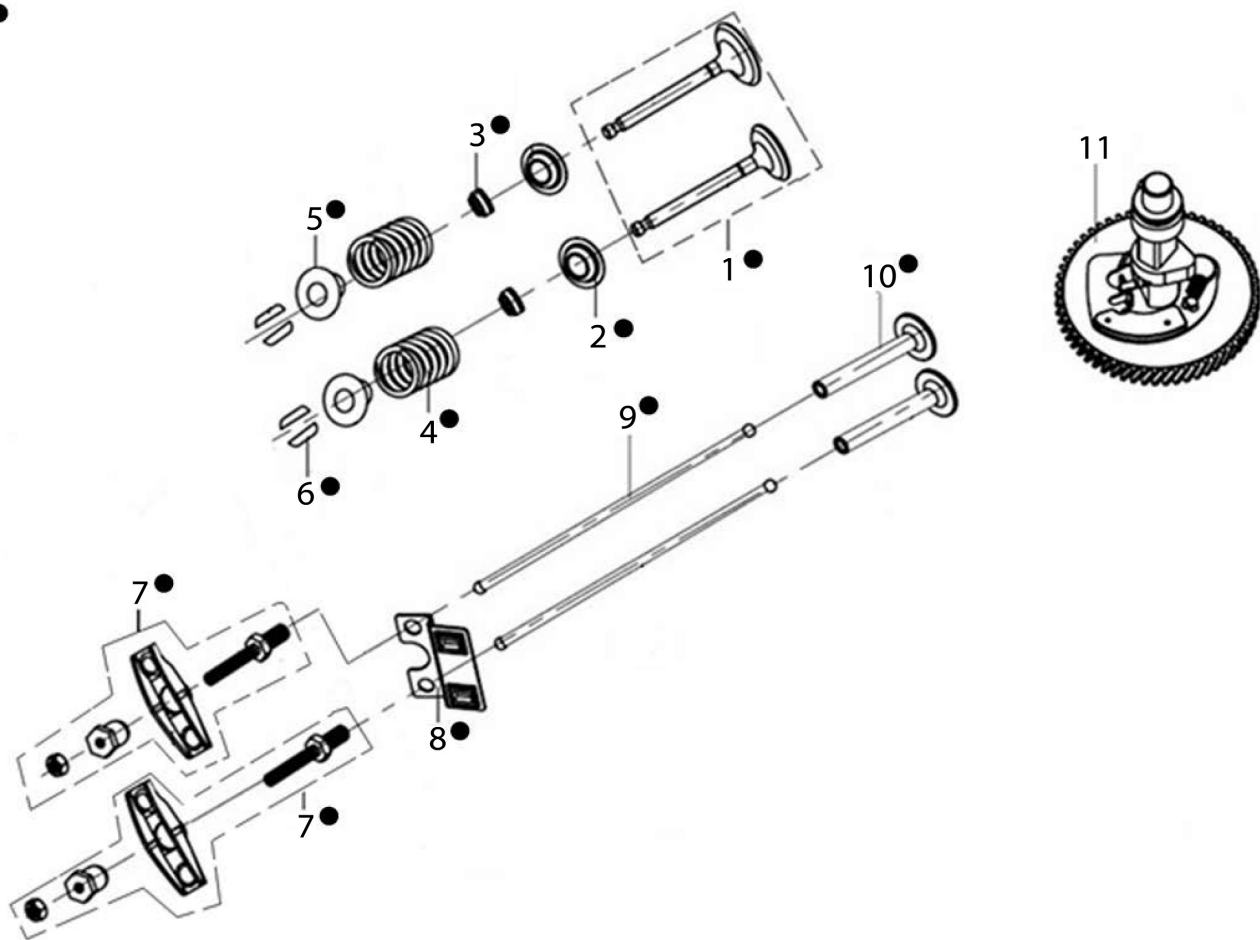
| Ref.Nu | Qty | Part number | Description | Validity from | Validity till | Notes | Bulletin |
|--------|-----|-------------|----------------|---------------|---------------|-------|----------|
| 1 | 1 | L66150777 | Carburetor kit | | | | |
| 2 | 1 | L66150956 | Gasket | | | | |
| 3 | 1 | L66151500 | Gasket set | | | | |
| 5 | 1 | L66150788 | Insulator | | | | |
| 6 | 1 | L66150962 | Bracket | | | | |
| 7 | 1 | L66150464 | Screw | | | | |
| 8 | 5 | L66150749 | Tube | | | | |
| 9 | 1 | L66151503 | Fuel hose | | | | |
| 10 | 1 | L66150957 | Oil line | | | | |
| 11 | 2 | L66150251 | Screw | | | | |
| 12 | 1 | L66150958 | Pump | | | | |
| 13 | 1 | L66151498 | Tube | | | | |
| 14 | 1 | L66150960 | Tube | | | | |
| 15 | 1 | L66150961 | Oil line | | | | |
| 16 | 2 | L66150456 | Screw | | | | |



изображение Air filter

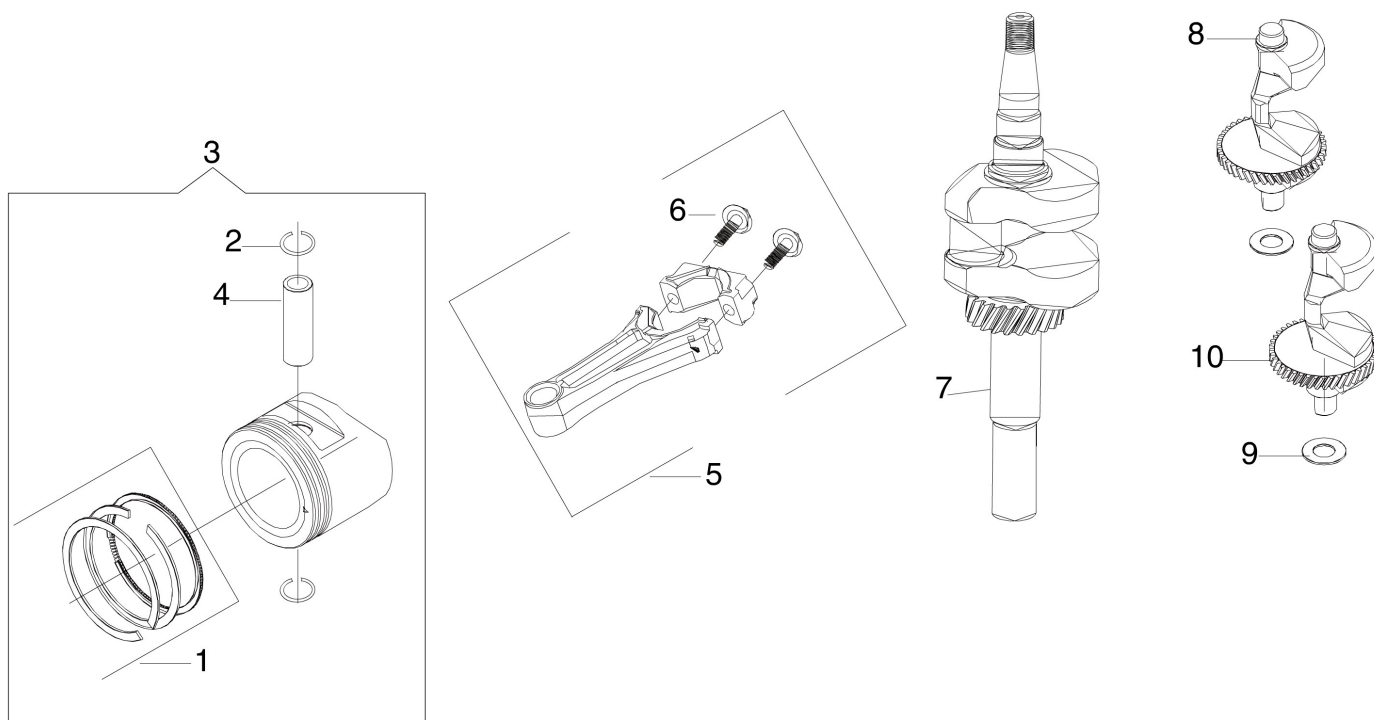
| Ref.Nu | Qty | Part number | Description | Validity from | Validity till | Notes | Bulletin |
|--------|-----|-------------|-------------|---------------|---------------|-------|----------|
| 1 | 1 | L66150799 | Filter | | | | |
| 2 | 2 | L66150801 | Bolt | | | | |
| 3 | 1 | L66150798 | Filter kit | | | | |
| 4 | 2 | 004400959R | Nut | | | | |
| 5 | 1 | L66150453 | Screw | | | | |
| 6 | 1 | L66150786 | Filter | | | | |

12●



изображение Valves

| Ref.Nu | Qty | Part number | Description | Validity from | Validity till | Notes | Bulletin |
|--------|-----|-------------|---------------------------|---------------|---------------|-------|----------|
| 1 | 1 | L66150782 | Suction/exhaust valve kit | | | | |
| 2 | 2 | L66150560 | Slide | | | | |
| 3 | 2 | L66150561 | Seal ring | | | | |
| 4 | 2 | L66150559 | Spring | | | | |
| 5 | 2 | L66150558 | Clamp | | | | |
| 6 | 4 | L66150557 | Valve | | | | |
| 7 | 2 | L66150763 | Compensator | | | | |
| 8 | 1 | L66150766 | Plate | | | | |
| 9 | 2 | L66150764 | Equalizer rod | | | | |
| 10 | 2 | L66150554 | Slide | | | | |
| 11 | 1 | L66150762 | Camshaft assy | | | | |
| 12 | 1 | L66151501 | Compl. top cover | | | | |

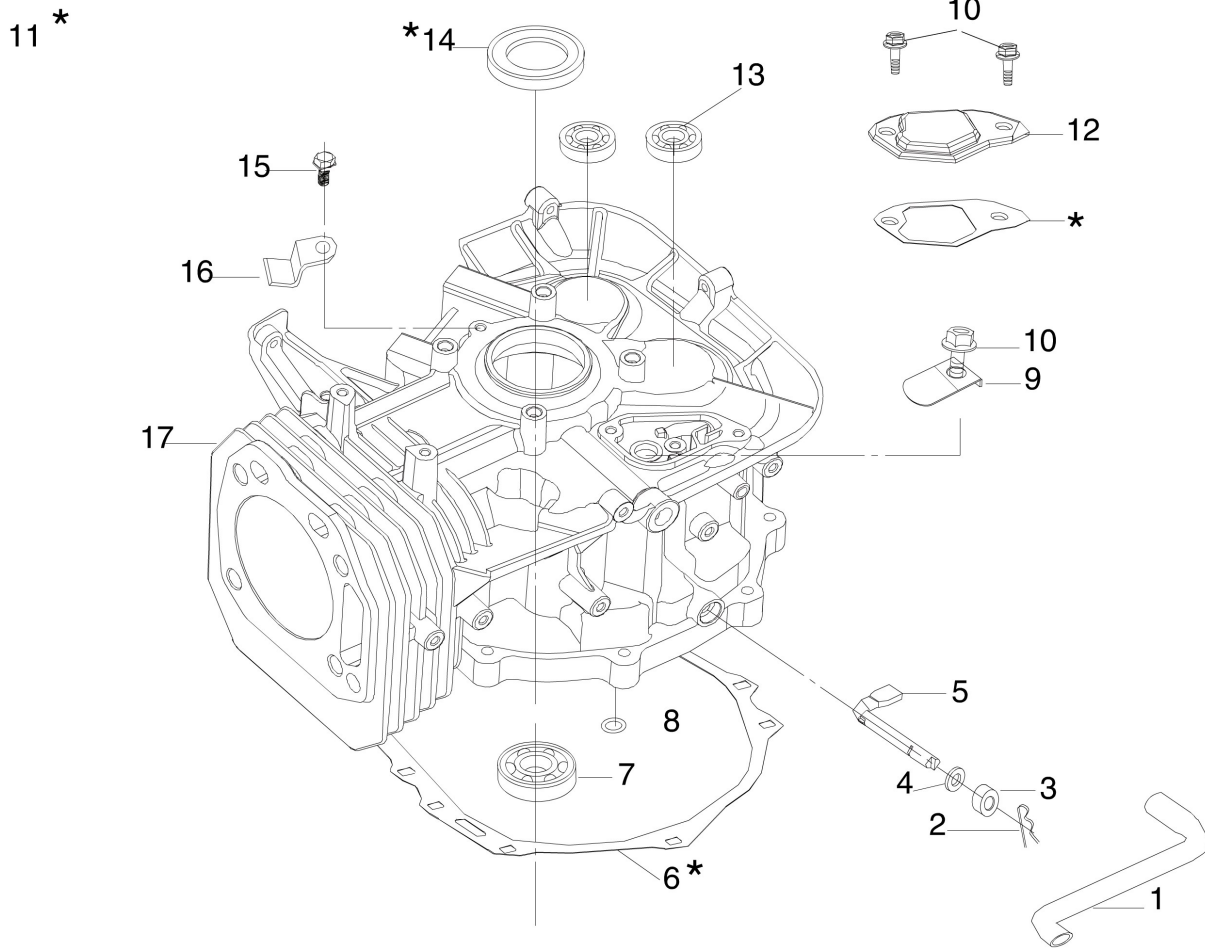


изображение Crankshaft and piston

| Ref.Nu | Qty | Part number | Description | Validity from | Validity till | Notes | Bulletin |
|--------|-----|-------------|---------------------|---------------|---------------|-------|----------|
| 1 | 1 | L66150755 | Piston ring set | | | | |
| 2 | 2 | L66150669 | Ring | | | | |
| 3 | 1 | L66151502 | Piston assy | | | | |
| 4 | 1 | L66150693 | Piston pin | | | | |
| 5 | 1 | L66150758 | Connecting rod cpl. | | | | |
| 6 | 2 | L66150759 | Bolt | | | | |
| 7 | 1 | L66150760 | Crankshaft | | | | |
| 8 | 1 | L66150963 | Compensator | | | | |
| 9 | 2 | L66150825 | Washer | | | | |
| 10 | 1 | L66150964 | Compensator | | | | |

изображение Crankcase cover

| Ref.Nu | Qty | Part number | Description | Validity from | Validity till | Notes | Bulletin |
|--------|-----|-------------|----------------|---------------|---------------|-------|----------|
| 1 | 3 | L66150251 | Screw | | | | |
| 2 | 1 | L66150768 | Oil pump cover | | | | |
| 3 | 1 | L66150756 | Seal ring | | | | |
| 4 | 1 | L66151499 | Cover | | | | |
| 5 | 1 | L66150743 | Close nipple | | | | |
| 6 | 1 | L66150767 | Oil pump | | | | |
| 7 | 1 | L66150830 | Oil seal | | | | |
| 8 | 10 | L66150820 | Bolt | | | | |
| 9 | 2 | L66150828 | Pin | | | | |
| 10 | 1 | L66150772 | Deflector | | | | |
| 11 | 1 | L66150453 | Screw | | | | |
| 12 | 1 | L66150662 | Governor | | | | |
| 13 | 1 | L66150769 | Oil filter | | | | |
| 14 | 1 | L66150752 | Plate | | | | |
| 15 | 1 | L66150770 | Filter cover | | | | |
| 16 | 1 | L66150817 | Bolt | | | | |
| 17 | 1 | L66150665 | Bearing | | | | |
| 18 | 1 | L66150965 | Complete cap | | | | |
| 19 | 1 | L66151500 | Gasket set | | | | |



изображение Cylinder and crankcase

| Ref.Nu | Qty | Part number | Description | Validity from | Validity till | Notes | Bulletin |
|--------|-----|-------------|--------------------|---------------|---------------|-------|----------|
| 1 | 1 | L66151494 | Breather fuel pipe | | | | |
| 2 | 1 | L66150353 | Goupille | | | | |
| 3 | 1 | L66150660 | Oil seal | | | | |
| 4 | 1 | L66150824 | Washer | | | | |
| 5 | 1 | L66150794 | Governor arm shaft | | | | |
| 6 | 1 | L66150744 | Gasket | | | | |
| 7 | 1 | L66150665 | Bearing | | | | |
| 8 | 1 | L66150741 | O-ring | | | | |
| 9 | 1 | L66150410 | Reed valve | | | | |
| 10 | 3 | L66150464 | Screw | | | | |
| 11 | 1 | L66151500 | Gasket set | | | | |
| 12 | 1 | L66150745 | Cover | | | | |
| 13 | 2 | L66150829 | Bearing | | | | |
| 14 | 1 | L66150830 | Oil seal | | | | |
| 15 | 1 | L66150393 | Screw | | | | |
| 16 | 1 | L66150739 | Valve | | | | |
| 17 | 1 | L66150742 | Crankcase | | | | |